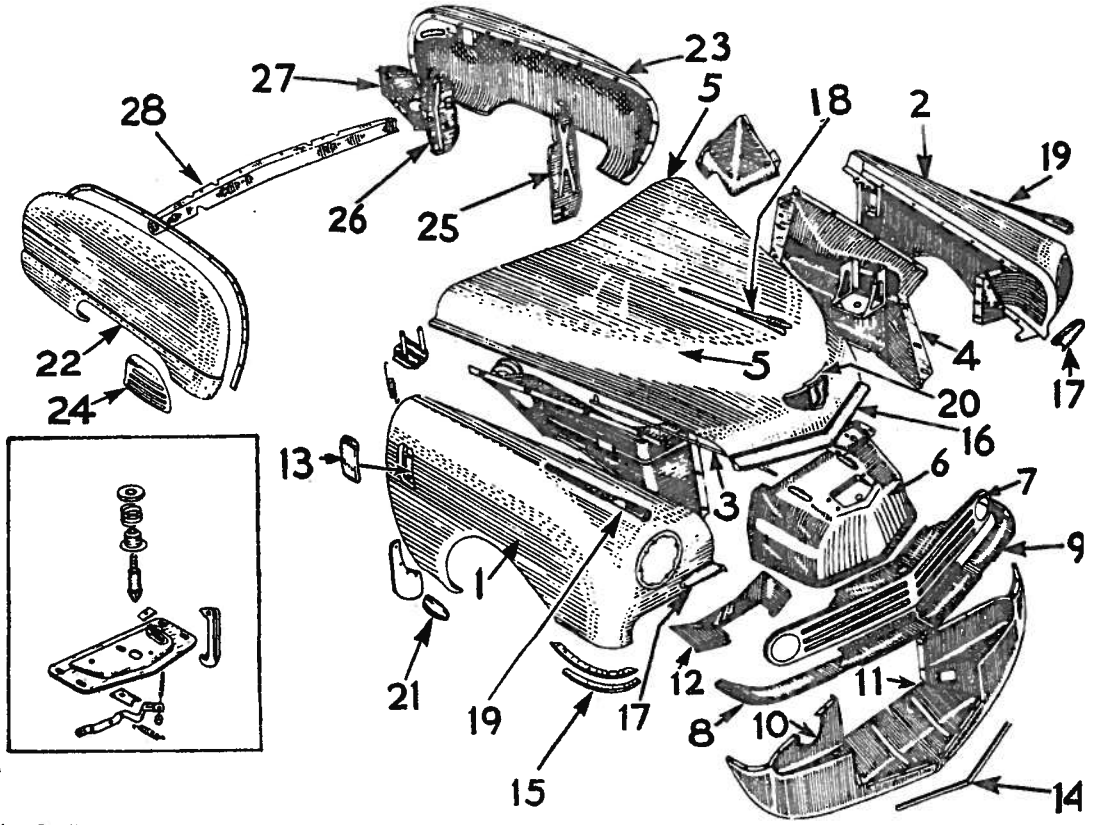


STUDEBAKER 1947 to 1949 BODY PARTS

Commander Models. ALL BODY STYLES

FRONT AND REAR FENDER, GRILLE & HOOD

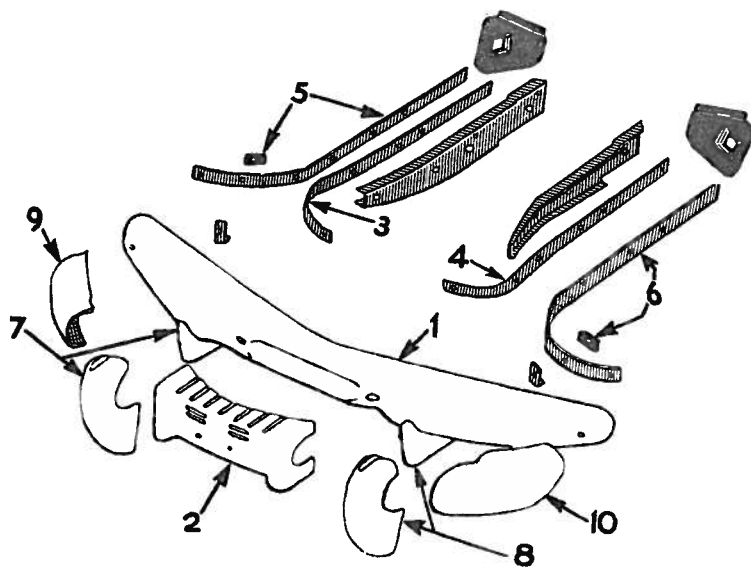
Item Part No.	Description	Price
1 287886	Right Front Fender, 1947	35.00
2 286374	Left Front Fender, 1947	35.00
1 288800	Right Front Fender, 1948-49	35.00
2 288802	Left Front Fender, 1948-49	35.00
3 287890	R.F. Fender Apron	6.00
4 286946	L.F. Fender Apron & Battery Cradle	7.50
5 285649	Hood, 1947	42.50
6 288795	Hood, 1948-49	42.50
6 285810	Radiator Upper Air Deflector	4.50
7 285707	Grille Panel, 1947-48	7.50
7 290120	Grille Panel, 1949	7.50
8 286144	Fender to Bumper Splash Guard, R., 1947	1.85
9 286145	Fender to Bumper Splash Guard, L., 1947	1.85
8 288777	Fender to Bumper Splash Guard, R., 1948	1.85
9 288778	Fender to Bumper Splash Guard, L., 1948	1.85
8 290248	Fender to Bumper Splash Guard, R., 1949	1.85
9 290249	Fender to Bumper Splash Guard, L., 1949	1.85
10 288225	Lower Fender Panel, R., 1947-48	8.75
11 288826	Lower Fender Panel, L., 1947-48	8.50
10 290244	Lower Fender Panel, R., 1949	8.75
11 290245	Lower Fender Panel, L., 1949	8.50
12 520774	Engine Front Pan.	1.20
13 286202	Vent Door, 1947-48	1.00
13 290239	Vent Door, 1949	1.00
14 286285	Front Fender Low. Panel Moulding	1.60
15 286280	R. F. Fender Front Corner Moulding	1.00
15 286281	L.F. Fender Front Corner Moulding	1.00
16 289715	Hood Front Moulding, 1948-49	5.25
17 288740	Moulding, R., 1948-49	1.50
17 288741	Moulding, L., 1948-49	1.50
18 286562	Hood top ornament	7.50
19 622494	Front fender ornament, R.	6.50
19 522495	Front fender ornament, L.	5.50
20 286309	Hood Emblem	5.00
21 286575	Sill panel ext. moulding	1.60
22 289126	Right rear fender, 4 door	21.50
23 289127	Left rear fender, 4 door	23.00
22 289128	Right rear fender, 2 door	22.00



Item Part No.	Description	Price
23 289129	Left rear fender, 2 door	23.50
24 288254	Panel shield, left, 4 door	2.60
24 288265	Panel shield, right, 4 door	2.60
24 284438	Panel shield, left, 2 door	3.95
24 284439	Panel shield, right, 2 door	3.95
24 286252	Gravel shield, R., DeLuxe, 2 door	3.00

Item Part No.	Description	Price
24 288253	Gravel shield, L., DeLuxe, 2 door	3.00
24 284860	Gravel shield, R., Regal, 2 door	4.95
24 284861	Gravel shield, L., Regal, 2 door	4.95
25 286582	Front deflector, R., 2 door sedan	1.15
25 286583	Front deflector, L., 2 door sedan	1.15
25 286584	Front deflector, R., coupes	1.15

Item Part No.	Description	Price
25 286585	Front deflector, L., coupes	1.15
26 284430	Rear deflector	1.15
27 286646	Gas tank neck protector	.75
28 520455	Deflector, to bumper, 1947-48	2.95
28 525377	Deflector, to frame, 1949	2.95
28 286757	Deflector, to body, 1949	2.50



FRONT BUMPER

Item Part No.	Description	Price
1 520289	Face bar, 1947	22.50
1 523124	Face bar, 1948	22.50
1 525362	Face bar, 1949	23.50
2 520276	Center plate, 1947	13.50
3 521530	Bracket, inner, R., 1947-48	2.25
4 521531	Bracket, inner, L., 1947-48	2.25
6 521532	Bracket, outer, R., 1947-48	2.50
6 521533	Bracket, outer, L., 1947-48	2.50
3 525385	Bracket, inner, 1949	4.00
5 525386	Bracket, outer, R., 1947-48	2.50
6 525387	Bracket, outer, L., 1947-48	2.50
7 520302	Vertical Guard, R., 1947	4.50

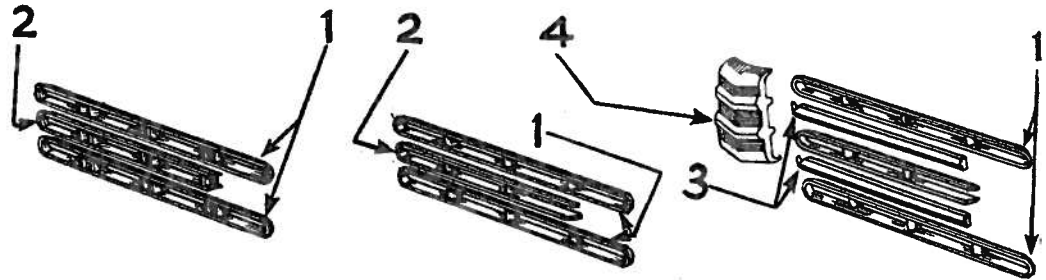
Item Part No.	Description	Price
8 520303	Vertical Guard, L., 1947	4.50
7 523261	Vertical Guard, R., 1948	6.00
8 523262	Vertical Guard, L., 1948	6.00
7 524885	Vertical Guard, R., 1949	6.50
8 524884	Vertical Guard, L., 1949	6.50
9 520398	Wing Guard, R., 1947-48	7.95
10 520399	Wing Guard, L., 1947-48	7.95
525417	Front License Bracket, 1949	.75

BODY PARTS 1947 to 1949 STUDEBAKER

Commander Models. ALL BODY STYLES

GRILLE MOULDINGS

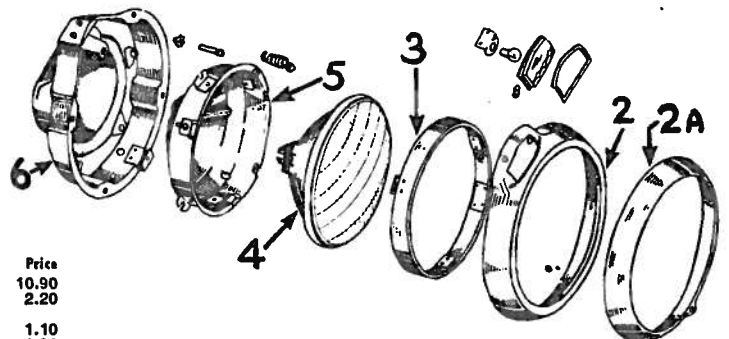
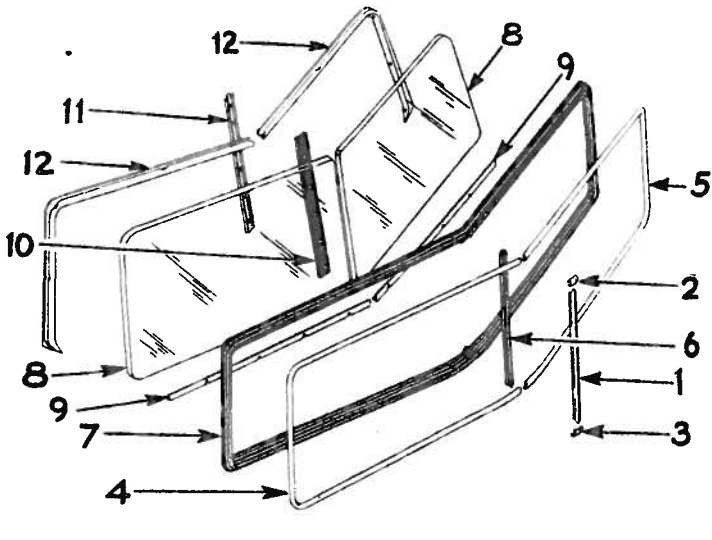
Item	Part No.	Description	Price
1	285850	Upper & lower, 1947	6.00
2	285851	Center, 1947	4.00
1	288700	Upper & lower, 1948-49	4.75
2	288701	Upper & lower, 1948-49	3.75
3	290114	Grille filler moulding, 1949	1.50
4	290105	Grille panel center cap moulding, 1949	3.50



WINDSHIELD

2 & 4 DOOR SEDANS & 3 PASS. COUPE

Item	Part No.	Description	Price	Item	Part No.	Description	Price
1	284446	Center mould., outside, Deluxe	.85	9	284223	Lower glass channel retainer, 1947-48	.20
1	285224	Center mould., outside, Regal	.85	9	289782	Lower glass channel retainer, R., 1949	.75
2	278721	Center clip, upper	.12	9	289783	Lower glass channel retainer, L., 1949	.75
3	278710	Center clip, lower	.12	10	284448	Weatherstrip, inner center bar	.20
4	285006	Right reveal	1.90	11	284447X	Center bar, inner moulding, specify color	.60
6	285007	Left reveal	1.90	12	284395X	Garnish moulding, R., specify color	3.00
6	284445	Center bar, inside	2.25	12	284396X	Garnish moulding, L., specify color	3.00
7	284500	Glass channel, rubber, Deluxe	3.75				
7	284869	Glass channel, rubber, Regal	4.00				
8	284528	Glass, R. or L.	P.O.A.				

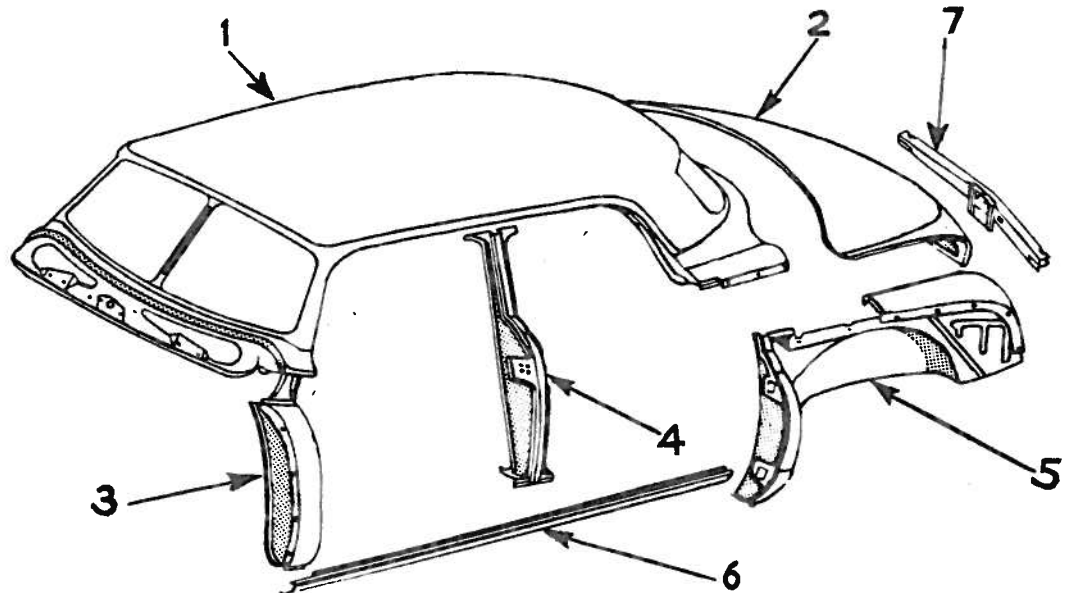


HEADLAMP

Item	Part No.	Description	Price
	285960	Assembly	10.90
2	285963	Headlamp door	2.20
3	285976	Sealed beam retainer	1.10
4	272586	Sealed beam unit	1.30
5	285969	Sealed beam base	1.35
6	285966	Headlamp body	3.35

BODY SHEET METAL 4 DOOR MODELS

Item	Part No.	Description	Price
1	287782	Roof panel, 4 door sedan, 1947-48	87.65
1	287788	Roof panel, Land Cruiser, 1947-48	89.00
1	290900	Roof panel, 4 door sedans, 1949	87.65
1	290904	Roof panel, Land Cruiser, 1949	89.00
2	284812	Trunk lid	30.00
3	284604	Cowl panel, R.	14.00
3	284605	Cowl panel, L.	14.00
4	284662	Center pillar, R.	11.00
4	284663	Center pillar, L.	11.00
5	609382	Wheel house panel, R., sedan	32.50
5	609383	Wheel house panel, L., sedan	32.50
5	60975	Wheel house panel, R., Land Cruiser	32.50
5	609676	Wheel house panel, L., Land Cruiser	32.50
6	286388	Sill panel, R., Deluxe	3.00
6	286389	Sill panel, L., Deluxe	3.00
6	284330	Sill panel, R., Regal, 47 & early 48	3.25
6	284331	Sill panel, L., Regal, 47 & early 48	3.25
6	289140	Sill panel, R., Regal, late 1948 & 49	3.25
6	289141	Sill panel, L., Regal, late 1948 & 49	3.25
6	286026	Sill panel, R., Land Cruiser, 1947-48	3.35
6	286027	Sill panel, L., Land Cruiser, 1947-48	3.35
6	289142	Sill panel, R., Land Cruiser, late 1948-49	3.35
6	289143	Sill panel, L., Land Cruiser, late 1948-49	3.35
7	287895	Trunk sill, early 1947	1.75
7	287959	Trunk sill, 1947-49	1.75



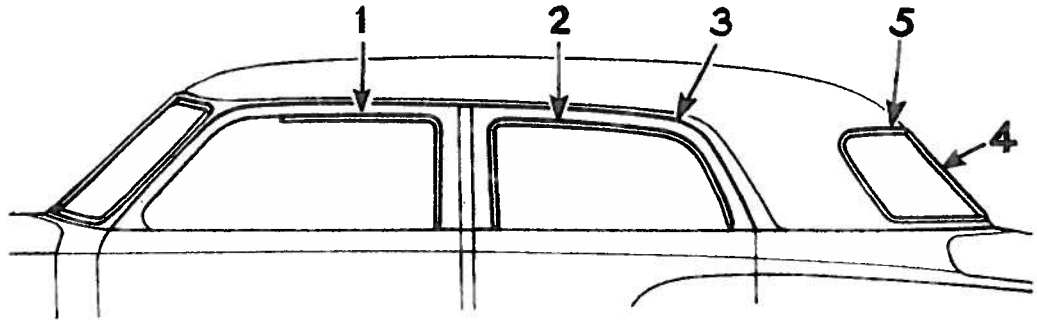
STUDEBAKER 1947 to 1949 BODY PARTS

Commander Models. ALL BODY STYLES

BODY OUTSIDE MOULDINGS

4 DOOR SEDANS

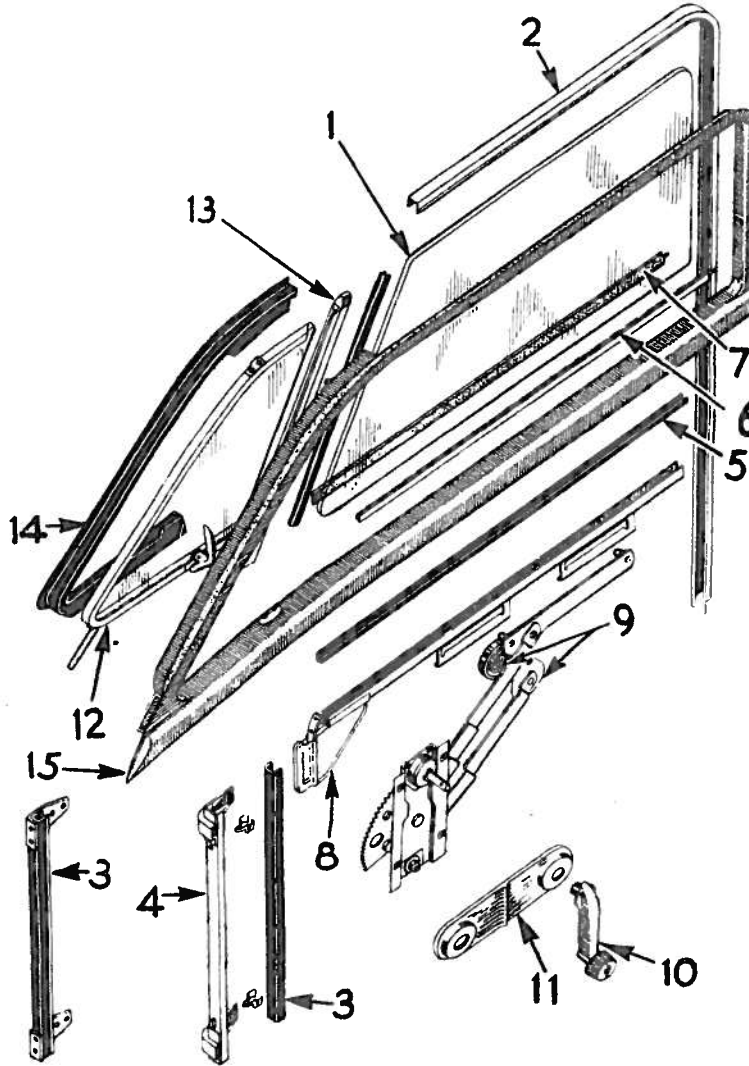
Item	Part No.	Description	Price
1	284486	R.F. door window reveal	1.25
1	284487	L.F. door window reveal	1.25
2	284630	R.R. door window reveal	1.50
2	284631	L.R. door window reveal	1.50
3	284313	Roof drip mould., R.	1.00
3	284314	Roof drip mould., L.	1.00
4	284617	Back window center	1.20
5	285028	Back window reveal, R.	1.75
5	285029	Back window reveal, L.	1.75



FRONT DOOR WINDOW

4 DOOR SEDANS

Item	Part No.	Description	Price
1	284576	Front door glass... P.O.A.	
2	1706XA54	Glass run, upper	1.05
3	1863X16	Glass run, front, lower, 1947, early 1948	.45
3	289278	Glass run, front, lower, late 1948-49	.90
4	284260	Glass front run retainer, 1947, early 1948	.80
5	1835X21	Glass weatherstrip	.20
6	284410	Weatherseal, inner, R.	.40
6	284411	Weatherseal, inner, L.	.40
7	284411	Weatherseal, outer, R.	.40
7	284410	Weatherseal, outer, L.	.40
8	284733	Glass lift channel, R.	1.50
8	284734	Glass lift channel, L.	1.50
9	284842	Window regulator, R., 1947-48	3.50
9	284843	Window regulator, L., 1947-48	3.50
9	286660	Window regulator, R., 1947-48, Land Cruiser	3.50
9	286661	Window regulator, L., 1947-48, Land Cruiser	3.50
9	289790	Window regulator, R., 1949	4.00
9	289791	Window regulator, L., 1949	4.00
9	289786	Window regulator, R., 1949, Land Cruiser	4.00
9	289797	Window regulator, L., 1949, Land Cruiser	4.00
10	288239X1	Regulator handle, 1947-48	1.45
10	288239X2	Regulator handle, 1949	1.45
10	286666	Regulator handle, 1947-48, Land Cruiser	1.60
10	288996	Regulator handle, 1949 Land Cruiser	1.60
11	284716	Handle escutcheon, 1947-48	1.50
11	286654	Handle escutcheon, Land Cruiser, 1947-48	.50
11	285580X2	Handle escutcheon, 1949	1.00
11	290136	Handle escutcheon, 1949, Land Cruiser	.35
12	284584	Vent frame & glass, R., 1947, Deluxe	5.60
12	284585	Vent frame & glass, L., 1947, Deluxe	5.60
12	288196	Vent frame & glass, R., late 1947-48 Deluxe	5.60
12	288197	Vent frame & glass, L., late 1947-48 Deluxe	5.60
12	290350	Vent frame & glass, R., 1949 Deluxe	5.60
12	290351	Vent frame & glass, L., 1949 Deluxe	5.60
12	285778	Vent frame & glass, R., early 1947 Regal & Land Cruiser	8.45
12	285779	Vent frame & glass, L., early 1947 Regal & Land Cruiser	8.45
12	288862	Vent frame & glass, R., 1947-48 Regal & L. C.	6.45
12	288863	Vent frame & glass, L., 1947-48 Regal & L. C.	6.45
12	290352	Vent frame & glass, R., 1949 Regal & L. C.	6.45
12	290353	Vent frame & glass, L., 1949 Regal & L. C.	6.45
12	284582	Division chan., R.	2.10
13	284583	Division chan., L.	2.10



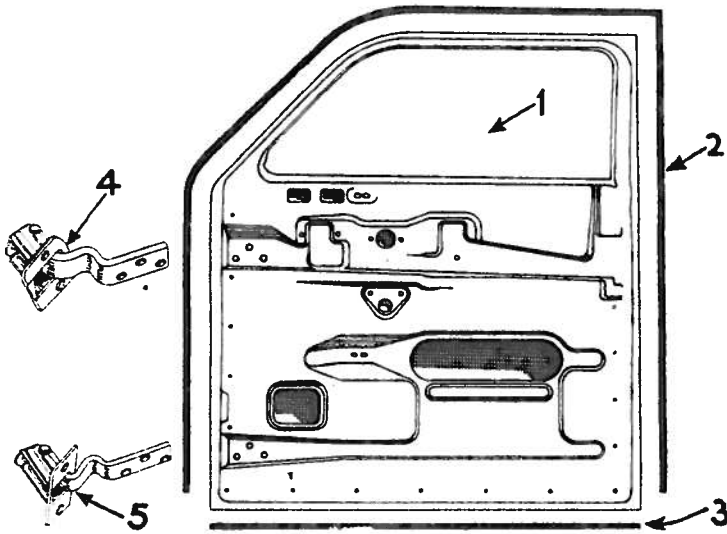
Item	Part No.	Description	Price
14	284594	Vent weatherstrip, R.	1.25
14	284596	Vent weatherstrip, L.	1.25
15	286338X1	Garnish moulding, R., 1947 Deluxe	6.75
15	286339X1	Garnish moulding, L., 1947 Deluxe	6.75
15	288992X1	Garnish moulding, R., late 1947-48 Deluxe	6.75
15	288993X1	Garnish moulding, L., late 1947-48 Deluxe	6.75

Item	Part No.	Description	Price
15	290578X5	Garnish moulding, R., 1949, all	6.75
15	290579X5	Garnish moulding, L., 1949, all	6.75
15	286338X3	Garnish moulding, R., 1947 Regal	7.75
15	286339X3	Garnish moulding, L., 1947 Regal	7.75
15	288992X3	Garnish moulding, R., late 1947 Regal	7.75
15	288993X3	Garnish moulding, L., late 1947 Regal	7.75

Item	Part No.	Description	Price
15	288992X4	Garnish moulding, R., 1948 Regal	7.75
15	288993X4	Garnish moulding, L., 1948 Regal	7.75
15	286338X4	Garnish moulding, R., 1947 Land Cruiser	7.75
15	286339X4	Garnish moulding, L., 1947 Land Cruiser	7.75
15	288992X4	Garnish moulding, R., late 1947-48 L. C.	7.75
15	288993X4	Garnish moulding, L., late 1947-48 L. C.	7.75

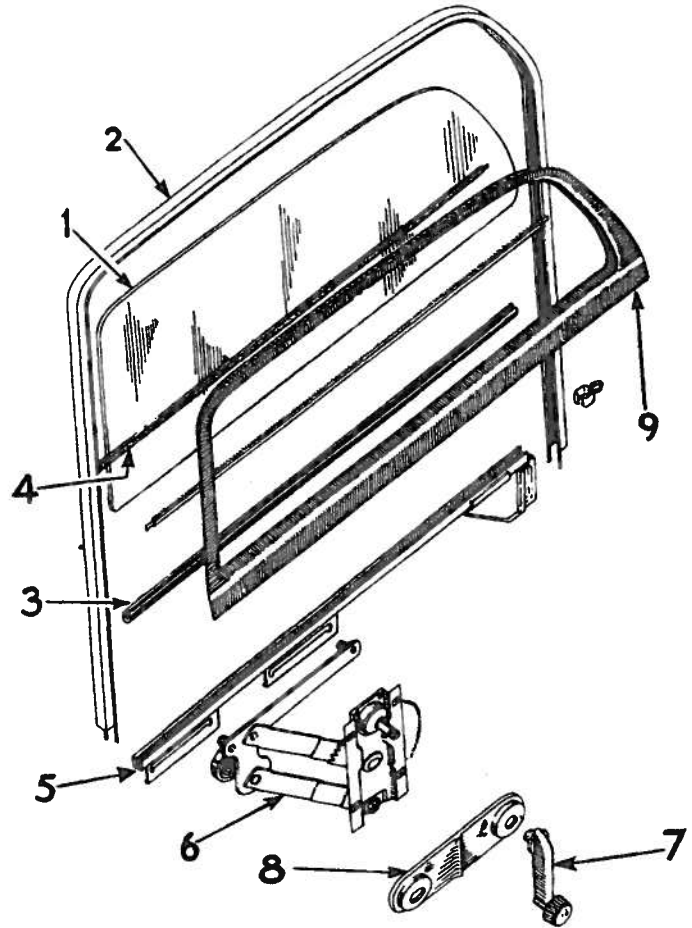
BODY PARTS 1947 to 1949 STUDEBAKER

Commander Models. ALL BODY STYLES



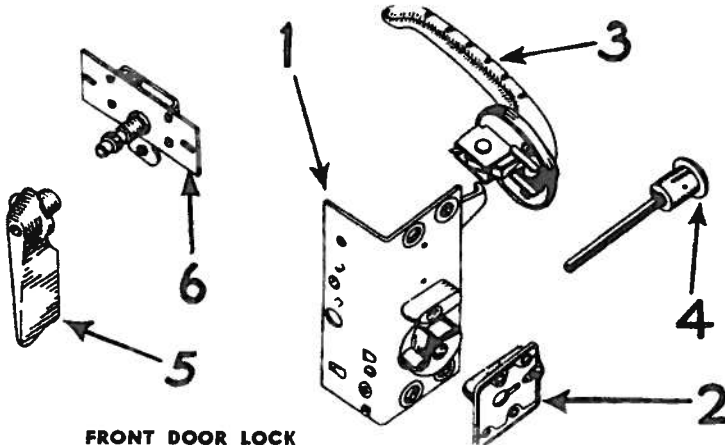
FRONT DOOR
4 DOOR SEDANS

Item Part No.	Description	Price	Item Part No.	Description	Price
1 290410	Right front door, stripped	38.50	3 1846X39	Weatherstrip, lower	.60
1 290411	Left front door, stripped	38.50	4 284512	Hinge, upper, R.	2.75
2 1754X125	Weatherstrip, upper	1.95	4 284513	Hinge, upper, L.	2.75
			5 284516	Hinge, lower, R.	1.75
			5 284517	Hinge, lower, L.	1.75



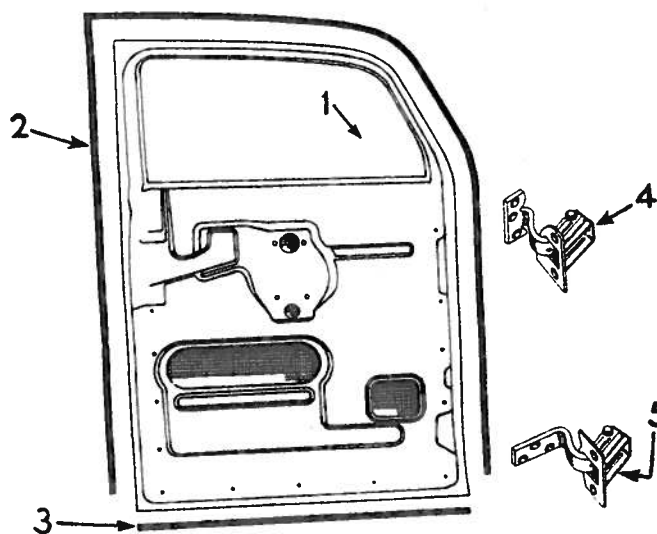
REAR DOOR WINDOW
4 DOOR SEDAN

Item Part No.	Description	Price	Item Part No.	Description	Price
1 284627	Door glass	P.O.A.	6 289792	Window regulator, R., 1949	4.00
2 1706XA78	Glass run	1.45	6 289793	Window regulator, L., 1949	4.00
3 1835X24	Weatherstrip	.25	7 288239X1	Regulator handle, 1947-48	1.45
4 284412	Weatherseal	.40	7 288239X2	Regulator handle, 1949	1.45
5 284735	Lift channel, R.	1.25	8 284716	Escutcheon, 1947-48	1.50
5 284736	Lift channel, L.	1.25	8 285580X2	Escutcheon, 1949	1.00
6 284844	Window regulator, R., 1947-48	3.50	9 287600X1	Garnish moulding, R., 1947-48 Deluxe	5.00
6 284845	Window regulator, L., 1947-48	3.50	9 287601X1	Garnish moulding, L., 1947-48 Deluxe	5.00



FRONT DOOR LOCK
4 DOOR SEDANS

Item Part No.	Description	Price
1 284796	Lock, R., 1947-48	3.25
1 284797	Lock, L., 1947-48	3.25
2 285129	Lock striker, R., 1947	.55
2 285130	Lock striker, L., 1947	.55
1 289308	Lock, R., 1949	3.25
1 289309	Lock, L., 1949	3.25
2 289158	Lock, striker, R., 1948-49	.55
2 289159	Lock striker, L., 1948-49	.55
3 284455	Outside handle	2.25
3 286390	Outside handle, R., Land Cruiser	3.50
3 286391	Outside handle, L., Land Cruiser	3.50
4 287499	Lock cylinder & keys (Hurd), 1947	1.70
4 289337	Lock cylinder & keys, 1949	1.70
5 284209	Inside handle	1.00
5 286650	Inside handle, Land Cruiser	1.25
6 284686	Remote control, R., 1947-48	.65
6 284687	Remote control, L., 1947-48	.65
6 289292	Remote control, R., 1949	.85
6 289293	Remote control, L., 1949	.85

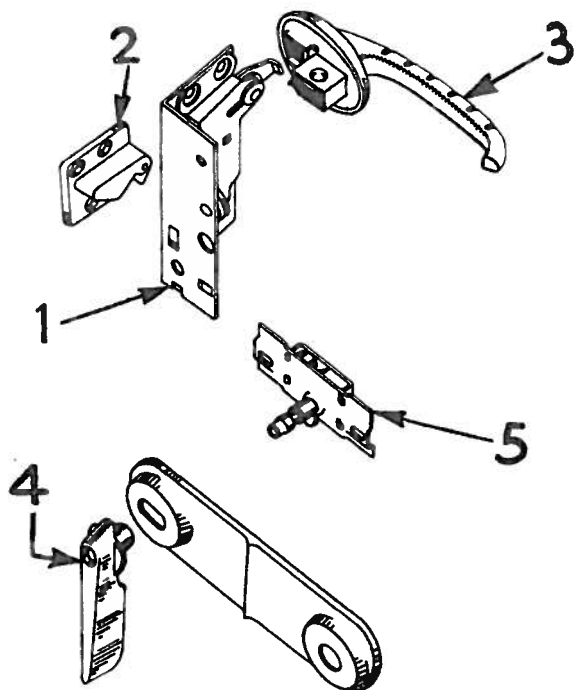


REAR DOOR
4 DOOR SEDAN

Item Part No.	Description	Price
1 290412	Right rear door, stripped	36.50
1 290413	Left rear door, stripped	36.50
2 1754X125	Weatherstrip, upper	1.95
3 1846X30 1/2	Weatherstrip, lower	.55
4 284520	Hinge, upper, R.	1.75
4 284521	Hinge, upper, L.	1.75
5 284524	Hinge, lower, R.	1.75
5 284525	Hinge, lower, L.	1.75

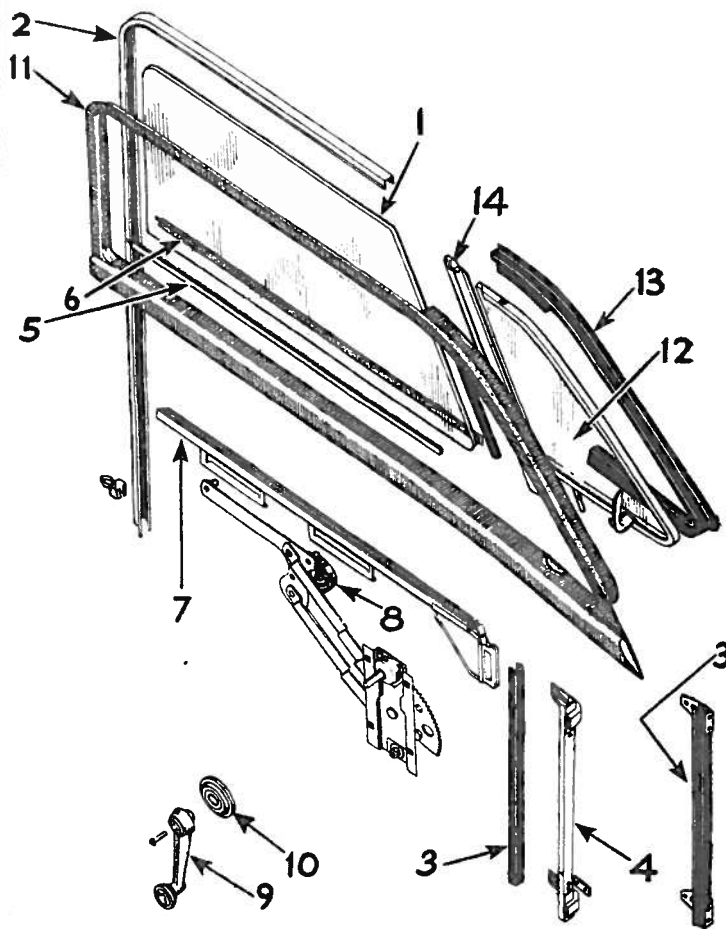
STUDEBAKER 1947 to 1949 BODY PARTS

Commander Models. ALL BODY STYLES



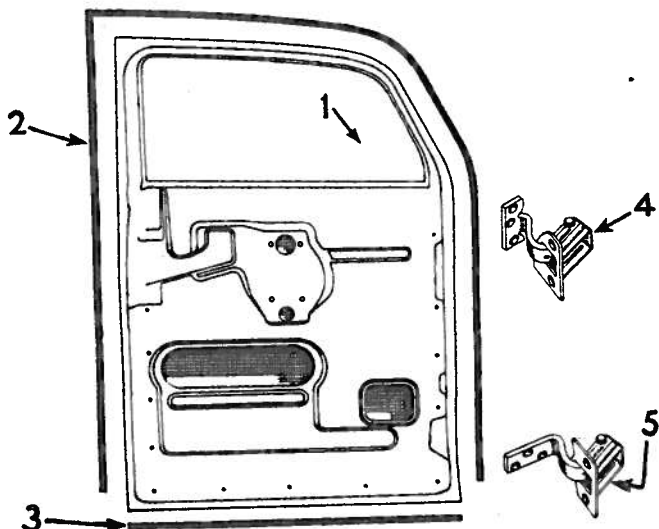
REAR DOOR LOCK

Item Part No.	Description	Price	Item Part No.	Description	Price
1 284798	Lock, R.	3.00	2 289158	Lock striker, L., 1948-49	.55
1 284799	Lock, L.	3.00	3 284555	Outside handle	2.25
2 265130	Lock striker, R., 1947	.55	4 284209	Inside handle	1.00
2 265129	Lock striker, L., 1947	.55	5 284686	Remote control, R.	.65
2 289159	Lock striker, R., 1948-49	.55	5 284687	Remote control, L.	.65



REAR DOOR WINDOW LAND CRUISER

Item Part No.	Description	Price	Item Part No.	Description	Price
1 286294	Door glass	P.O.A.	10 286654	Escutcheon plate, 1947-48	.50
2 286299	Glass run, upper	1.00	10 290135	Escutcheon plate, 1949	.35
3 1863X16 7/8	Glass run, low., R., 1947-48	.45	11 286462X4	Garnish moulding, R., 1947-48	7.25
3 289278	Glass run, low. R., late 1948-49	.90	11 286463X4	Garnish moulding, L., 1947-48	7.25
4 284280	Glass run retainer, lower, R., 1947, early 1948	.80	11 290514X5	Garnish moulding, R., 1949	6.25
5 289360	Weatherseal, inner, R.	.35	11 290515X5	Garnish moulding, L., 1949	6.25
5 289361	Weatherseal, inner, L.	.35	12 286328	Vent. frame & glass, R., 1947-48	6.45
6 286298	Weatherseal, outer, R.	.35	12 286329	Vent. frame & glass, L., 1947-48	6.45
6 286297	Weatherseal, outer, L.	.35	12 290508	Vent. frame & glass, R., 1949	6.45
7 286304	Lift channel, R.	1.35	12 290509	Vent. frame & glass, L., 1949	6.45
7 286305	Lift channel, L.	1.35	13 286244	Vent. weatherstrip, R., 1947-48	1.25
8 286562	Window regulator, R., 1947-48	3.50	13 286245	Vent. weatherstrip, L., 1947-48	1.25
8 286663	Window regulator, L., 1947-48	3.50	13 290056	Vent. weatherstrip, R., 1949	1.25
8 289798	Window regulator, R., 1949	4.00	13 290057	Vent. weatherstrip, L., 1949	1.25
8 289799	Window regulator, L., 1949	4.00	14 286287	Division channel, R.	2.10
9 286656	Regulator handle, 1947-48	1.60	14 286288	Division channel, L.	2.10
9 289996	Regulator handle, 1949	1.60			



REAR DOOR LAND CRUISER

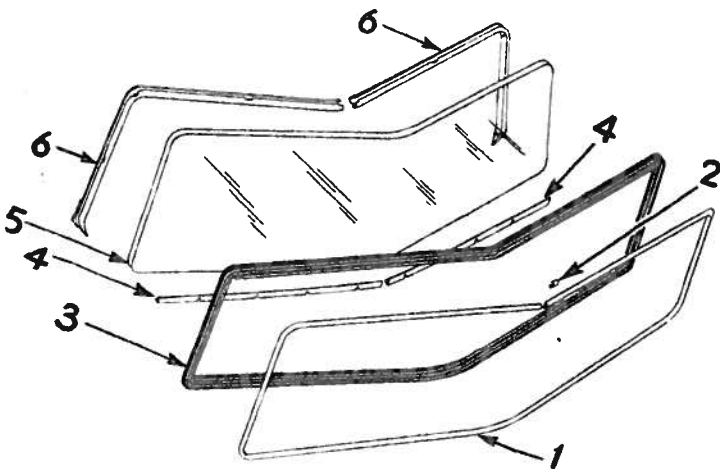
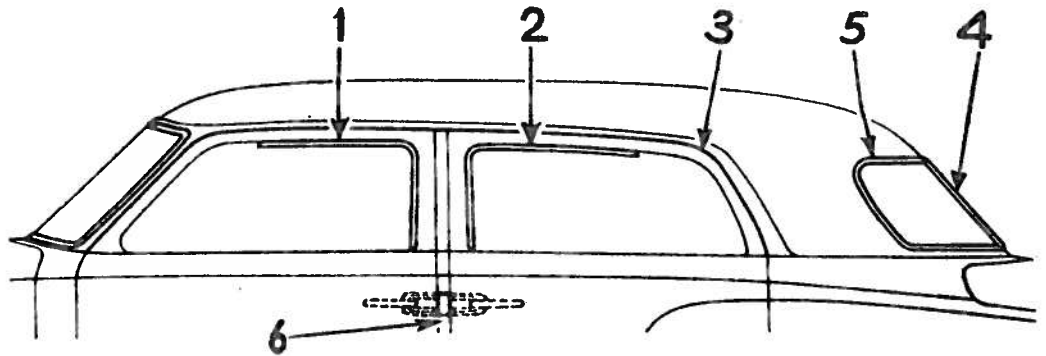
Item Part No.	Description	Price	Item Part No.	Description	Price
1 290418	Right door stripped	37.50	4 284520	Hinge, upper, R.	1.75
1 290419	Left door, stripped	37.50	4 284521	Hinge, upper, L.	1.75
2 1784X125	Weatherstrip, upper	1.95	5 284524	Hinge, lower, R.	1.75
3 1846X34 1/2	Weatherstrip, lower	.55	5 284525	Hinge, lower, L.	1.75

BODY PARTS 1947 to 1949 STUDEBAKER

Commander Models. ALL BODY STYLES

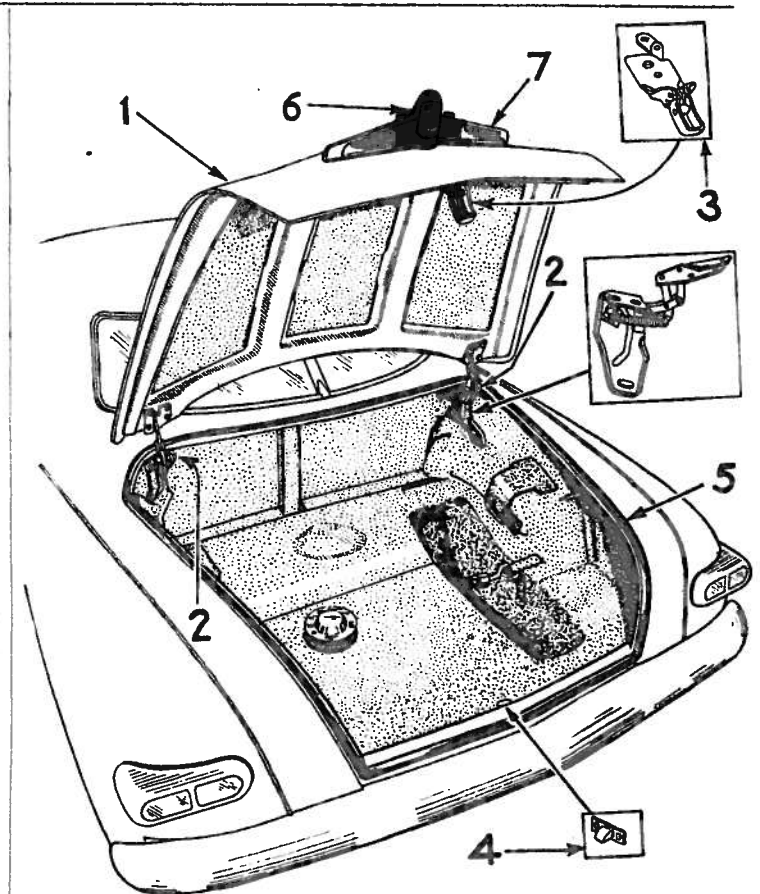
BODY OUTSIDE MOUNDINGS LAND CRUISER

Item	Part No.	Description	Price
1	284486	Right F. door window reveal	1.25
1	284487	Left F. door window reveal	1.25
2	286273	R. rear door window reveal, 1947-48	1.25
2	289362	R. rear door window reveal, 1949	1.25
2	286274	L. rear door window reveal, 1947-48	1.25
2	289363	L. rear door window reveal, 1949	1.25
3	286628	Roof drip mould, R.	1.10
3	286629	Roof drip mould, L.	1.10
4	284617	Back window center	1.20
5	285028	Back window, R.	1.75
5	285029	Back window, L.	1.75
6	286392	Door center pillar	.95



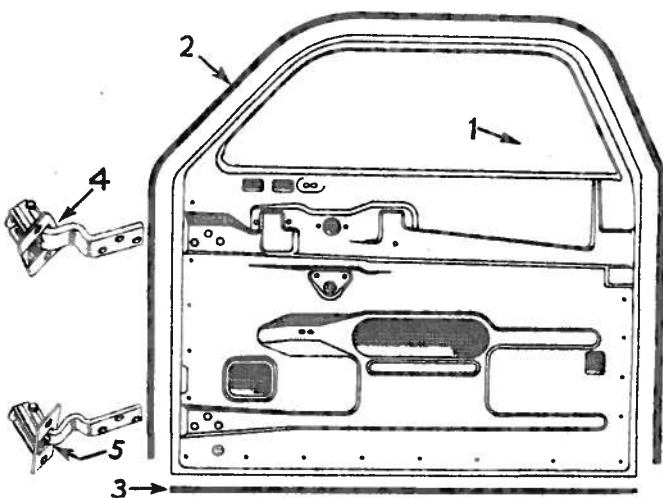
WINDSHIELD 5 PASS. COUPE, LAND CRUISER & CONVERTIBLE

Item	Part No.	Description	Price	Item	Part No.	Description	Price
1	285000	Reveal moulding	3.25	4	289784	Glass channel retainer, R., 1949	.75
2	278624	Moulding clip	.08	4	289785	Glass channel retainer, L., 1949	.75
3	1680X2	Glass channel, rubber	4.00	5	284387	Glass	P.O.A.
4	284684	Glass channel retainer, R., 1947-48	.30	6	284397X	Garnish moulding, R., specify color	3.00
4	284685	Glass channel retainer, L., 1947-48	.30	6	284398X	Garnish moulding, L., specify color	3.00



TRUNK LID

Item	Part No.	Description	Price	Item	Part No.	Description	Price
1	284812	Lid, Sedans, Land Cruiser & Convertible	30.00	3	285154	Lock, 1947-48	1.55
1	285619	Lid, 3 & 5 passenger Coupes	29.50	3	290272	Lock, 1949	1.55
2	284540	Hinge, R.	3.50	4	286198	Lock striker, 1947-48	.35
2	284541	Hinge, L.	3.50	4	289837	Lock striker, 1949	.25
2	285496	Hinge, R., 3 & 5 pass. Coupes	3.50	5	285595	Weatherstrip	3.50
2	285497	Hinge, L., 3 & 5 pass. Coupes	3.50	6	287036	Lock base & housing	11.00
				7	287037	Lock & handle	4.95



BODY DOORS

2 DOOR SEDAN & COUPES

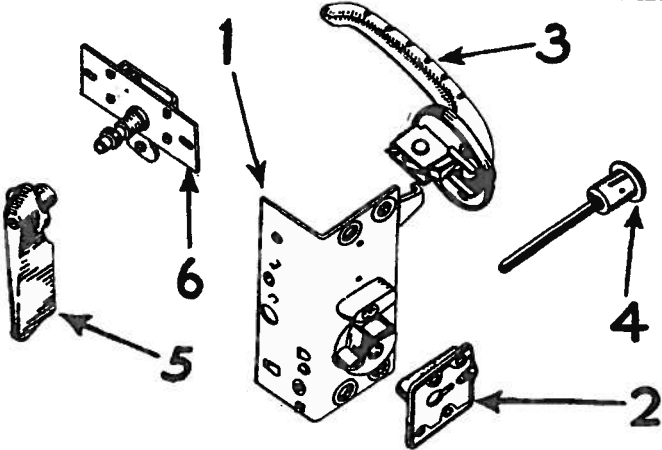
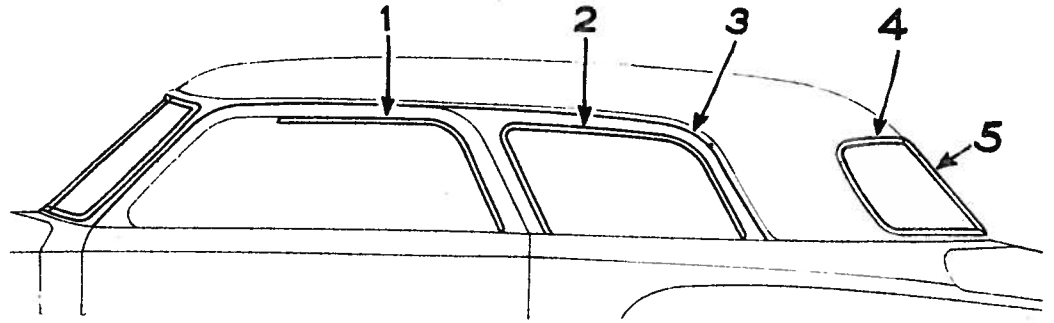
Item	Part No.	Description	Price	Item	Part No.	Description	Price
1	290414	Stripped door, R.	41.00	4	284512	Hinge, upper L.	2.75
1	290415	Stripped door, L.	41.00	4	284513	Hinge, upper R.	2.75
2	1754X125	Weatherstrip, upper	1.95	5	284516	Hinge, lower L.	1.75
3	1846X47	Weatherstrip, lower	.75	5	284517	Hinge, lower R.	1.75

STUDEBAKER 1947 to 1949 BODY PARTS

Commander Models. ALL BODY STYLES

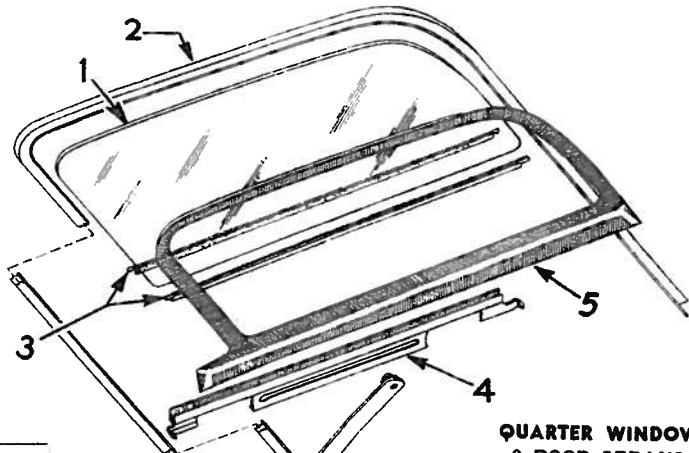
BODY OUTSIDE MOULDINGS 2 DOOR SEDAN

Item Part No.	Description	Price
1 285425	R. door window reveal	1.25
1 285426	L. door window reveal	1.25
2 285303	R.R. quarter reveal	1.50
2 285304	L.R. quarter, reveal	1.50
3 285575	Roof drip mould., R.	1.15
3 285576	Roof drip mould., L.	1.15
4 284617	Back window center	1.20
5 285028	Back window reveal, R.	1.75
5 285029	Back window reveal, L.	1.75



DOOR LOCK 2-DOOR SEDANS AND COUPES

Item Part No.	Description	Price	Item Part No.	Description	Price
1 284796	Lock, R. 1947-48	3.25	4 287499	Lock cylinder & keys (Hurd) 1947	1.70
1 284797	Lock, L. 1947-48	3.25	4 289337	Lock cylinder & keys, 1949	1.70
2 285129	Lock striker, R. 1947	.55	5 284209	Inside handle, Land Cruiser	1.25
2 285130	Lock striker, L. 1947	.55	5 286650	Inside handle, Land Cruiser	1.00
1 289308	Lock, R. 1949	3.25	6 284686	Remote control, R. 1947-48	.65
1 289309	Lock, L. 1949	3.25	6 284687	Remote control, L. 1947-48	.65
2 289158	Lock striker, R. 1948-49	.55	6 289792	Remote control, R. 1949	.85
2 289159	Lock striker, L. 1948-49	.55	6 289793	Remote control, L. 1949	.85
3 284455	Outside handle	2.25			
3 286390	Outside handle, R., Land Cruiser	3.50			
3 286391	Outside handle, L., Land Cruiser	3.50			

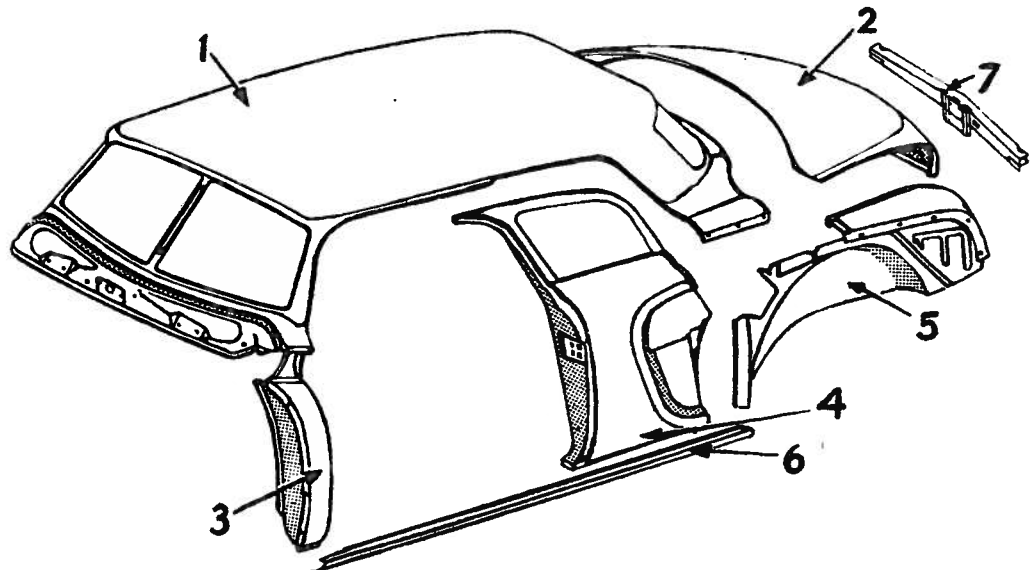


QUARTER WINDOW 2 DOOR SEDANS

Item Part No.	Description	Price
1 285478	Glass	P.O.A.
2 285638	Glass run	1.65
3 285587	Weatherseal	.35
4 285505	Lift channel, R.	1.00
4 285506	Lift channel, L.	1.00
5 287602X	Garnish moulding, R., specify color	6.00
5 287603X	Garnish moulding, L., specify color	6.00
6 285484	Window reg., R.	2.50
6 285485	Window reg., L.	2.50
7 288239X1	Regulator handle, 1947-48	1.45
7 288239X2	Regulator handle, 1949	1.45
8 285580X1	Handle escutcheon, 1947-48	1.00
8 285580X2	Handle escutcheon, 1949	1.00

BODY SHEET METAL 2 DOOR SEDANS

Item Part No.	Description	Price
1 287783	Roof panel, 1947-48	86.65
1 290101	Roof panel, 1949	86.65
2 284812	Trunk lid	30.00
3 284604	Cowl panel, R.	14.00
3 284605	Cowl panel, L.	14.00
4 287775	Rr. quarter panel, R.	31.00
4 287776	Rr. quarter panel, L.	31.00
5 609384	Wheelhouse panel, R.	24.50
5 609385	Wheelhouse panel, L.	24.50
6 286302	Sill panel, R., Deluxe	3.75
6 286303	Sill panel, L., Deluxe	3.75
6 284473	Sill panel, R., Regal, 1947, early 48	4.00
6 284474	Sill panel, L., Regal, 1947, early 48	4.00
6 289170	Sill panel, R., Regal, 1948-49	4.00
6 289171	Sill panel, L., Regal, 1948-49	4.00
7 287899	Trunk sill, 1947, early	1.75
7 287899	Trunk sill, 1947, 48, 49	1.75



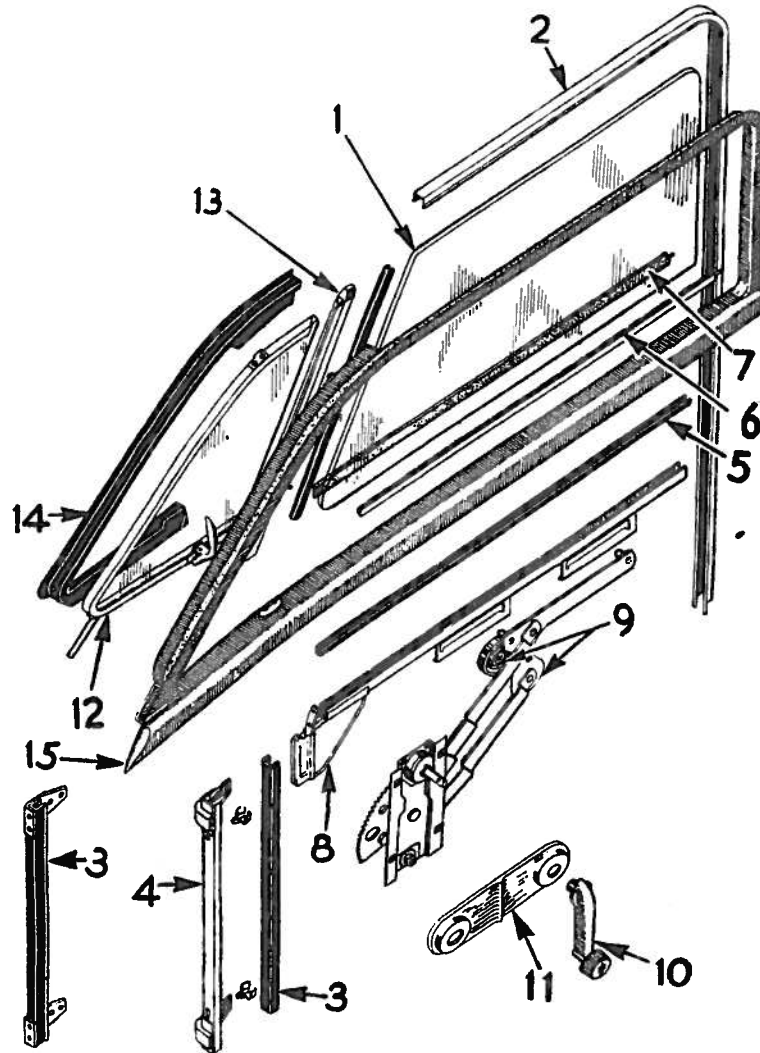
BODY PARTS 1947 to 1949 STUDEBAKER

Commander Models. ALL BODY STYLES

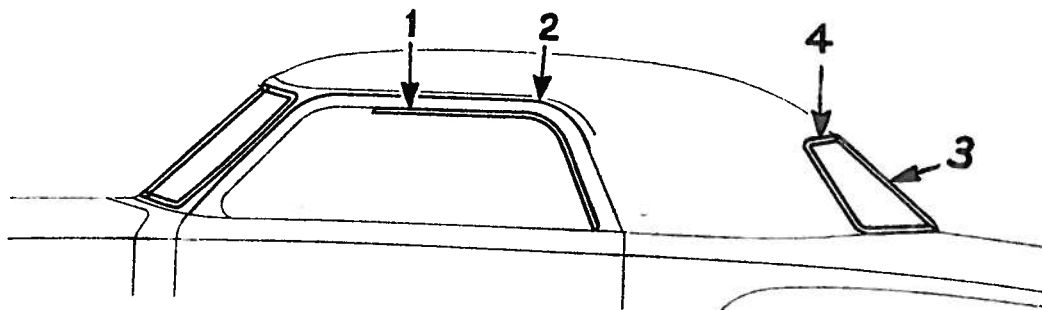
DOOR WINDOW

2-DOOR SEDANS & COUPES

Item	Part No.	Description	Price
1	284888	Door glass	P.O.A.
2	1706XA54	Glass run, upper	1.05
3	1863X16	Glass run, front, lower, 1947, early 48	.45
3	289278	Glass run, front, lower, late 48-49	.90
4	284260	Glass front run retainer, 1947, early 48	.80
5	1835X25 3/4	Glass weatherstrip	.30
6	285645	Weatherseal, inner, R., outer L.	.45
6	285646	Weatherseal, inner, L., outer R.	.45
7	284411	Weatherseal, outer, R.	.40
7	284410	Weatherseal, outer, L.	.48
8	284924	Glass lift channel, R.	2.25
8	284925	Glass lift channel, L.	2.25
9	284842	Window regulator, R., 1947-48	3.50
9	284843	Window regulator, L., 1947-48	3.50
9	286660	Window regulator, R., 1947-48 Land Cruiser	3.50
9	286661	Window regulator, L., 1947-48 Land Cruiser	3.50
9	289790	Window regulator, R., 1949	4.00
9	289791	Window regulator, L., 1949	4.00
9	289796	Window regulator, R., 49 L and Cruiser	4.00
9	289797	Window regulator, L., 1949 Land Cruiser	4.00
10	288239X1	Regulator handle, 1947-48	1.45
10	288239X2	Regulator handle, 1949	1.45
10	288656	Regulator handle, 1947-48 Land Cruiser	1.60
10	288996	Regulator handle, 1949 Land Cruiser	1.60
11	284716	Handle escutcheon, 1947-48	1.50
11	286654	Handle escutcheon, 1947-48 Land Cruiser	.50
11	285580X2	Handle escutcheon, 1949	1.00
11	290136	Handle escutcheon, 49 Land Cruiser	.35
12	284584	Vent frame & glass, R., 1947 Deluxe	5.60
12	284585	Vent frame & glass, L., 1947 Deluxe	5.60
12	288196	Vent frame & glass, R., late 1947-48 Deluxe	5.60
12	288197	Vent frame & glass, L., late 1947-48 Deluxe	5.60
12	290350	Vent frame & glass, R., 1949 Deluxe	5.60
12	290351	Vent frame & glass, L., 1949 Deluxe	5.60
12	285778	Vent frame & glass, R., early 1947 Regal & L. C.	6.45
12	285779	Vent frame & glass, L., early 1947 Regal & L. C.	6.45
12	288862	Vent frame & glass, R., 1947-48 Regal & L. C.	6.45
12	288863	Vent frame & glass, L., 1947-48 Regal & L. C.	6.45
12	290352	Vent frame & glass, R., 1949 Regal & L. C.	6.45
12	290353	Vent frame & glass, L., 1949 Regal & L. C.	6.45



Item	Part No.	Description	Price	Item	Part No.	Description	Price	Item	Part No.	Description	Price
13	284582	Division channel, R.	2.10	15	288994X1	Garnish moulding, R., late 1947-48 Deluxe	7.75	15	288341X3	Garnish moulding, L., 1947 Regal	8.75
13	284583	Division channel, L.	2.10	15	288995X1	Garnish moulding, L., late 1947-48 Deluxe	7.75	15	288994X3	Garnish moulding, R., late 1947 Regal	8.75
14	284594	Vent weatherstrip, R.	1.25	15	290580X5	Garnish moulding, R., 1949	7.75	15	288995X3	Garnish moulding, L., late 1947 Regal	8.75
14	284595	Vent weatherstrip, L.	1.25	15	290581X5	Garnish moulding, L., 1949	7.75	15	288994X4	Garnish moulding, R., 1948 Regal	8.75
15	286340X1	Garnish moulding, R., 1947 Deluxe	7.75	15	286340X3	Garnish moulding, R., early 1947 Regal	8.75	15	288995X4	Garnish moulding, L., 1948 Regal	8.75
15	286341X1	Garnish moulding, L., 1947 Deluxe	7.75								



BODY OUTSIDE MOULDINGS 3 PASSENGER COUPE

Item	Part No.	Description	Price
1	285425	Right door window reveal	1.25
1	285426	Left door window reveal	1.25
2	285600	Roof drip mould, R.	.85
2	285601	Roof drip mould, L.	.85
3	285516	Back window, R.	1.20
4	285075	Back window, R.	1.90
4	285076	Back window, L.	1.90

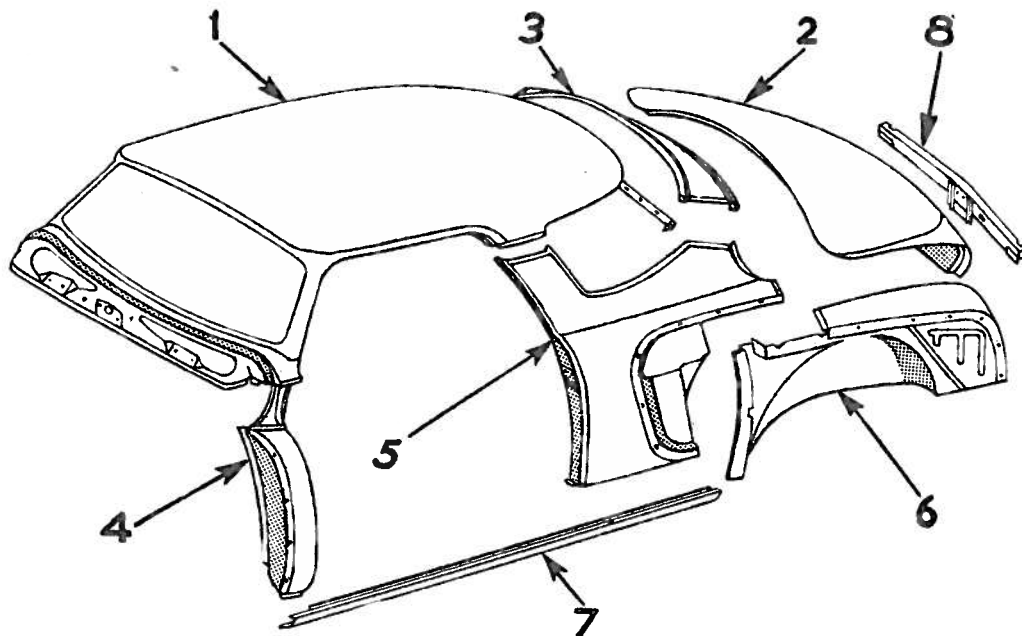
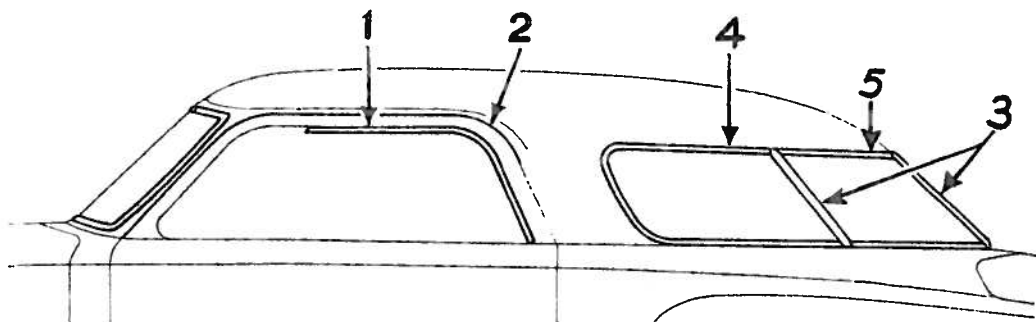
STUDEBAKER 1947 to 1949 BODY PARTS

Commander Models. ALL BODY STYLES

BODY OUTSIDE MOUNDINGS

5 PASSENGER COUPE

Item	Part No.	Description	Price
1	285425	R. door window reveal	1.25
1	285426	L. door window reveal	1.25
2	285600	Roof drip mould., R.	.85
2	285601	Roof drip mould., L.	.85
3	285241	Back window, center bar	1.20
3	285336	Back window, R. side bar	1.20
3	285337	Back window, L. side bar	1.20
4	285632	Back window, R. side	3.45
4	285633	Back window, L. side	3.45
5	285634	Back window, R. center	3.95
5	285635	Back window, L. center	3.95



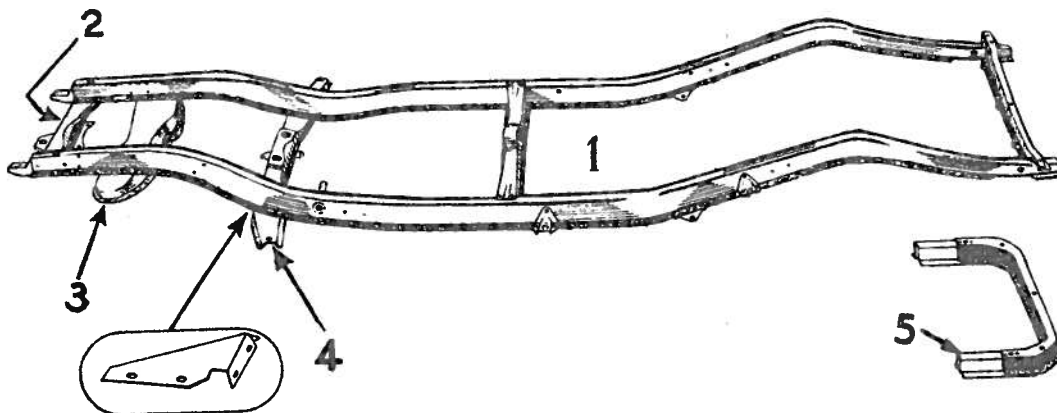
BODY SHEET METAL

Coupes

Item	Part No.	Description	Price
1	287784	Roof panel, 5 pass., 1947-48	81.00
1	287785	Roof panel, 3 pass., 1947-48	82.00
1	290903	Roof panel, 5 pass., 1949	81.00
1	290902	Roof panel, 3 pass., 1949	82.00
2	285819	Trunk lid	29.50
3	285889	Upper deck panel, 5 pass.	8.50
3	285166	Upper deck panel, 3 pass.	5.25
4	284604	Cowl panel, R.	14.00
4	284605	Cowl panel, L.	14.00
5	287778	Rear quarter panel, L.	29.00
5	287781	Rear quarter panel, L., 5 pass.	28.00
6	609387	Wheelhouse panel, L., 5 pass.	24.50
6	609389	Wheelhouse panel, L., 3 pass.	24.50
7	288302	Sill panel, R., Deluxe	3.75
7	288303	Sill panel, L., Deluxe	3.75
7	284473	Sill panel, R., Regal, 1947, early 1948	4.00
7	284474	Sill panel, L., Regal, 1947, early 1948	4.00
7	289170	Sill panel, R., Regal, 1948-49	4.00
7	289171	Sill panel, L., Regal, 1948-49	4.00
8	287955	Trunk sill, early 1947	1.75
8	287959	Trunk sill, 1947-48-49	1.75

CHASSIS FRAME

Item	Part No.	Description	Price
1	523647	Assembly, 1947	94.50
1	523649	Assembly, 1947 Land Cruiser	96.75
1	521969	Assembly, 1947 Convertible	97.50
1	523647	Assembly, 1948	94.50
1	524002	Assembly, 1948 Land Cruiser	94.50
1	523655	Assembly, 1948 Convertible	97.50
1	525289	Assembly, 1949	96.00
1	525283	Assembly, 1949 Land Cruiser	97.00
1	525297	Assembly, 1949 Convertible	100.00
2	518483	Radiator support cross member	4.75
3	519106	Front cross member	14.50
4	520328	Engine rear cross member	10.60
5	520262	Gas tank cross member, 1947-48	5.50
5	525269	Gas tank cross member, 1949	7.50

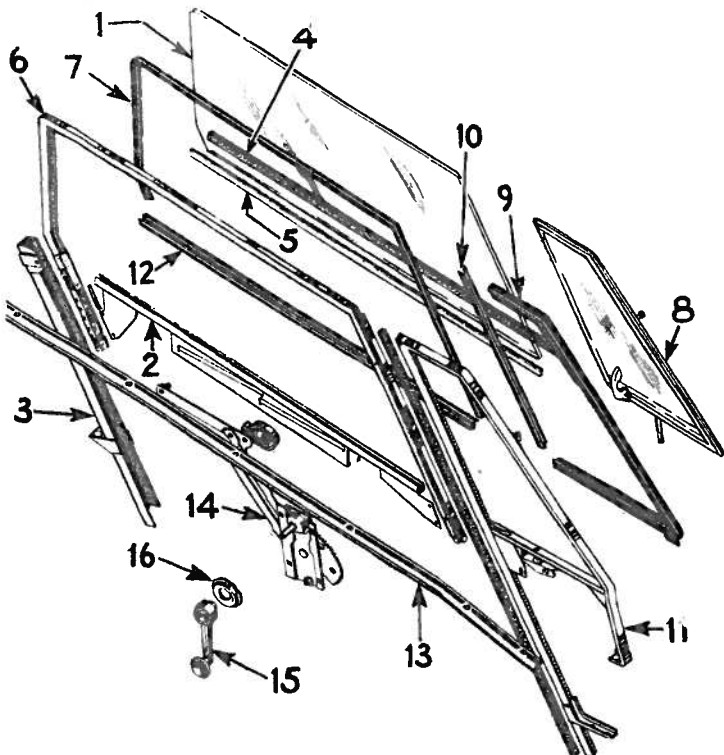
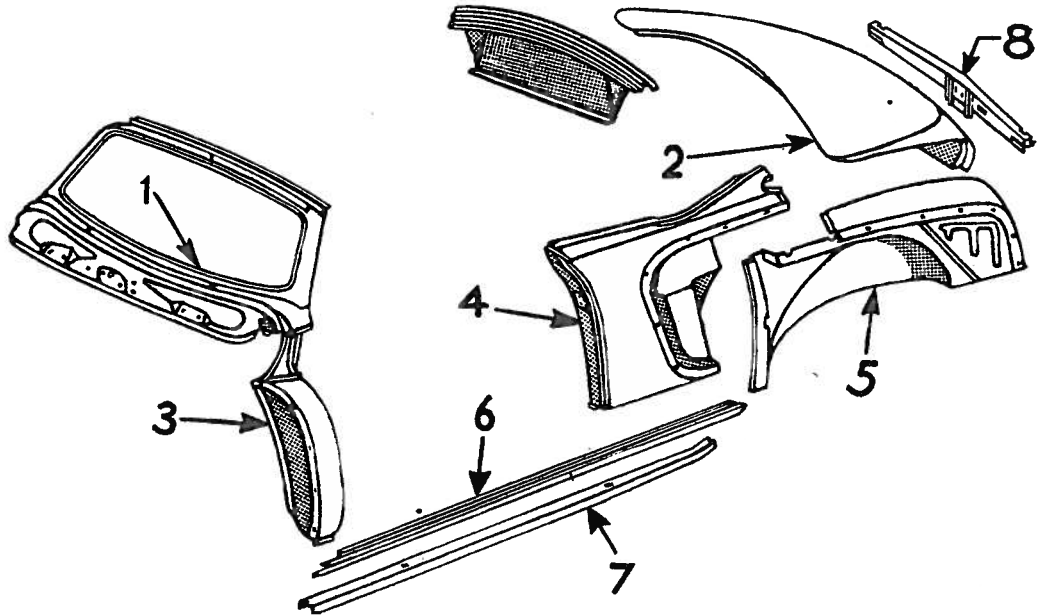


BODY PARTS 1947 to 1949 STUDEBAKER

Commander Models. ALL BODY STYLES

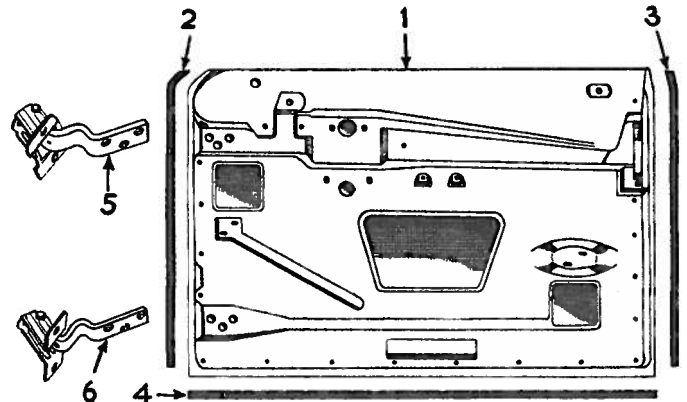
BODY SHEET METAL CONVERTIBLES

Item Part No.	Description	Price
1 609773	Cowl top panel, 1947-48	31.00
1 610601	Cowl top panel, 1949	
2 284812	Trunk lid	30.00
3 609776	Cowl panel, R.	14.50
3 609777	Cowl side panel, L.	14.50
4 289074	Rear quar. panel, R.	31.00
4 289075	Rear quar. panel, L.	31.00
5 609771	Wheelhouse panel, R.	24.50
5 609772	Wheelhouse panel, L.	24.50
6 286840	Sill panel, R., 1947-48	4.25
6 286841	Sill panel, L., 1947-48	4.25
6 289174	Sill panel, R., 1949	4.25
6 289175	Sill panel, L., 1949	4.25
7 286218	Sill panel filler, R.	1.25
7 286219	Sill panel filler, L.	1.25
8 287959	Trunk sill	1.75



DOOR WINDOW CONVERTIBLES

Item Part No.	Description	Price	Item Part No.	Description	Price
1 286531	Door glass	P.O.A.	5 287550	Weatherstrip, R. inner	.45
2 285840	Lift channel, R.	2.50	5 287551	Weatherstrip, L. inner	.45
2 285841	Lift channel, L.	2.50	6 288870	Window frame, R.	24.00
3 286543	Window frame guide, R.	2.50	6 288871	Window frame, L.	24.00
3 286544	Window frame guide, L.	2.50	7 1770X54 1/4	Door glass cushion	.55
4 287250	Weatherseal, R. outer	.45	8 286508	Right ventilator	17.25
4 287251	Weatherseal, L. outer	.45	8 290894	Right ventilator, late 1949	P.O.A.



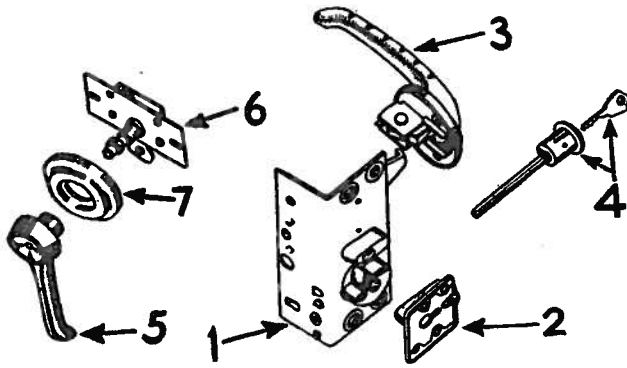
BODY DOORS CONVERTIBLES

Item Part No.	Description	Price	Item Part No.	Description	Price
1 290416	Right door, stripped, late 1949	43.00	3 286208	Weatherstrip, L.F.	.75
1 290417	Left door, stripped, late 1949	43.00	4 1846X47 1/4	Weatherstrip, lower	.75
1 290836	Left door, stripped, late 1949	P.O.A.	5 284512	Hinge, upper, R.	2.75
2 1754X36	Weatherstrip, frt.	.60	5 284513	Hinge, upper, L.	2.75
3 289208	Weatherstrip, R.F.	.75	6 284516	Hinge, lower, R.	1.75
			6 284517	Hinge, lower, L.	1.75

Item Part No.	Description	Price	Item Part No.	Description	Price
8 286509	Left ventilator	17.25	12 1849X29 3/4	Lift channel weatherseal	.35
8 290895	Left ventilator, late 1949	P.O.A.	13 286266	Garnish midg., R.	2.85
9 286526	Vent weatherstrip, R. front	2.50	13 286267	Garnish midg., L.	2.85
9 290736	Vent weatherstrip, R. front, late 1949	P.O.A.	14 286748	Window regulator, R., 1947-48	3.50
9 286527	Vent weatherstrip, L.	2.50	14 286749	Window regulator, L., 1947-48	3.50
9 290737	Vent weatherstrip, L. front, late 1949	P.O.A.	14 289794	Window regulator, R., 1949	4.00
10 286528	Vent weatherstrip, rear	.45	14 289795	Window regulator, L., 1949	4.00
11 286502	Vent frame, R., 1949	19.00	15 288997	Regulator handle, 1947-48	1.60
11 290788	Vent frame, R., late 1949	P.O.A.	15 288996	Regulator handle, 1949	1.60
11 286503	Vent frame, L., 1949	19.00	16 288210	Escutcheon, 1947-48	.50
11 290789	Vent frame, L., late 1949	P.O.A.	16 290136	Escutcheon, 1949	.35

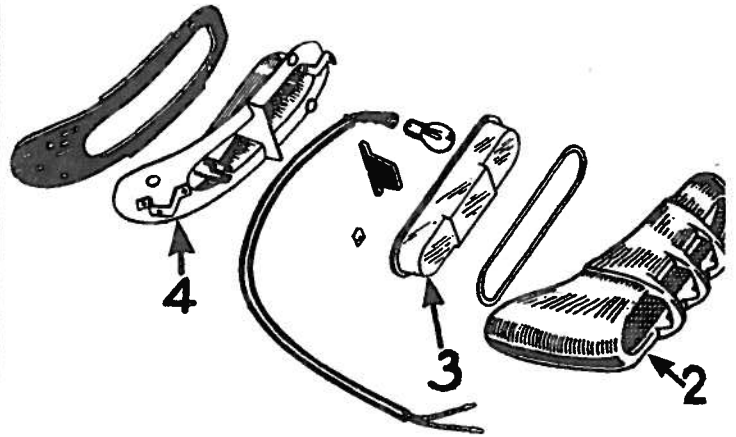
STUDEBAKER 1947 to 1949 BODY PARTS

Commander Models. ALL BODY STYLES



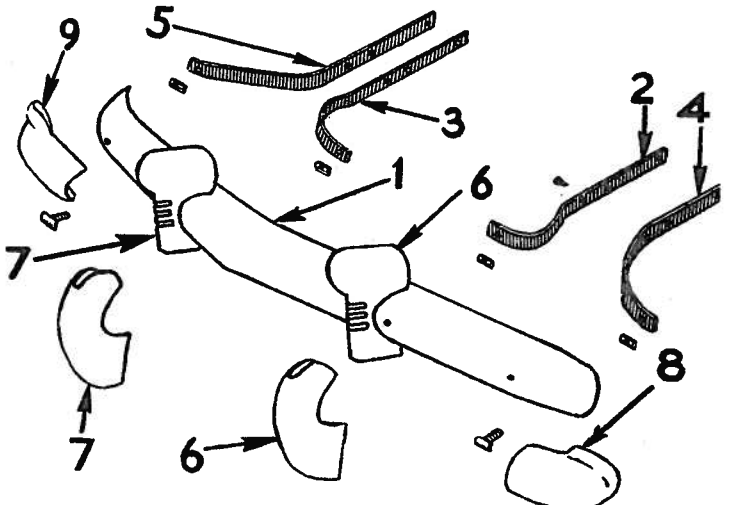
**DOOR LOCK
CONVERTIBLES**

Item Part No.	Description	Price	Item Part No.	Description	Price
1 287185	Lock, R. 1947-48	2.75	5 286850	Inside handle	1.25
1 287187	Lock, L. 1947-48	2.75	6 284686	Remote control, R. 1947-48	.65
1 289308	Lock, R. 1949	3.25	6 284687	Remote control, L. 1947-48	.65
1 289309	Lock, L. 1949	3.25	6 289292	Remote control, R. 1949	.65
2 285129	Striker, R. 1947	.55	6 289293	Remote control, L. 1949	.65
2 285130	Striker, L. 1947	.55	7 288210	Escutcheon, 1947-48	.50
2 289158	Striker, R. 1948-49	.55	7 290136	Escutcheon, 1947-48	.35
2 289159	Striker, L. 1948-49	.55			
3 284455	Outside handle	2.25			
4 287499	Lock cylinder & keys, 1947-48	1.75			
4 289357	Lock cylinder & keys, 1949				



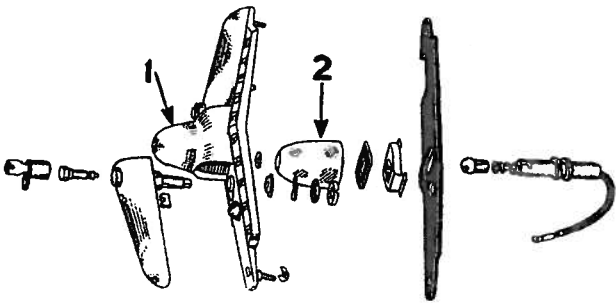
TAIL & STOP LIGHT

Item Part No.	Description	Price	Item Part No.	Description	Price
285902	Assembly	8.00	3 285901	Lens	.95
2 285900	Rim	5.00	4 285904	Body	1.75



REAR BUMPER

Item Part No.	Description	Price	Item Part No.	Description	Price
1 518300	Face bar, 1947	20.00	5 525391	Bracket, L., outer 1949	1.35
1 523408	Face bar, 1948	20.00	6 519029	Vertical bumper, R. 1947	6.00
1 525383	Face bar, 1949	23.50	7 519030	Vertical bumper, L. 1947	6.00
2 518100	Bracket, R., inner, 1947-48	1.10	6 523283	Vertical bumper, R. 1948	6.00
3 518101	Bracket, L., inner, 1947-48	1.10	7 523264	Vertical bumper, L. 1948	6.00
4 518091	Bracket, R., outer, 1947-48	1.10	6 524884	Vertical bumper, R. 1949	6.50
5 518092	Bracket, L., outer, 1947-48	1.10	7 524885	Vertical bumper, L. 1949	6.50
2 525388	Bracket, R., inner, 1949	1.10	8 520421	Wing guard, R. 1947-48	7.50
3 525389	Bracket, L., inner 1949	1.10	9 520422	Wing guard, L. 1947-48	7.50
4 525390	Bracket, R., outer, 1949	1.35			



LICENSE PLATE LAMP

Item Part No.	Description	Price
1 285443	Assembly (Yale)	11.00
1 287036	Assembly (Hurd), 1947	11.00
2 288439	Lens	.40

BACK WINDOW

Not illustrated
2 & 4 DOOR SEDANS, 3 PASS.
COUPE & LAND CRUISER

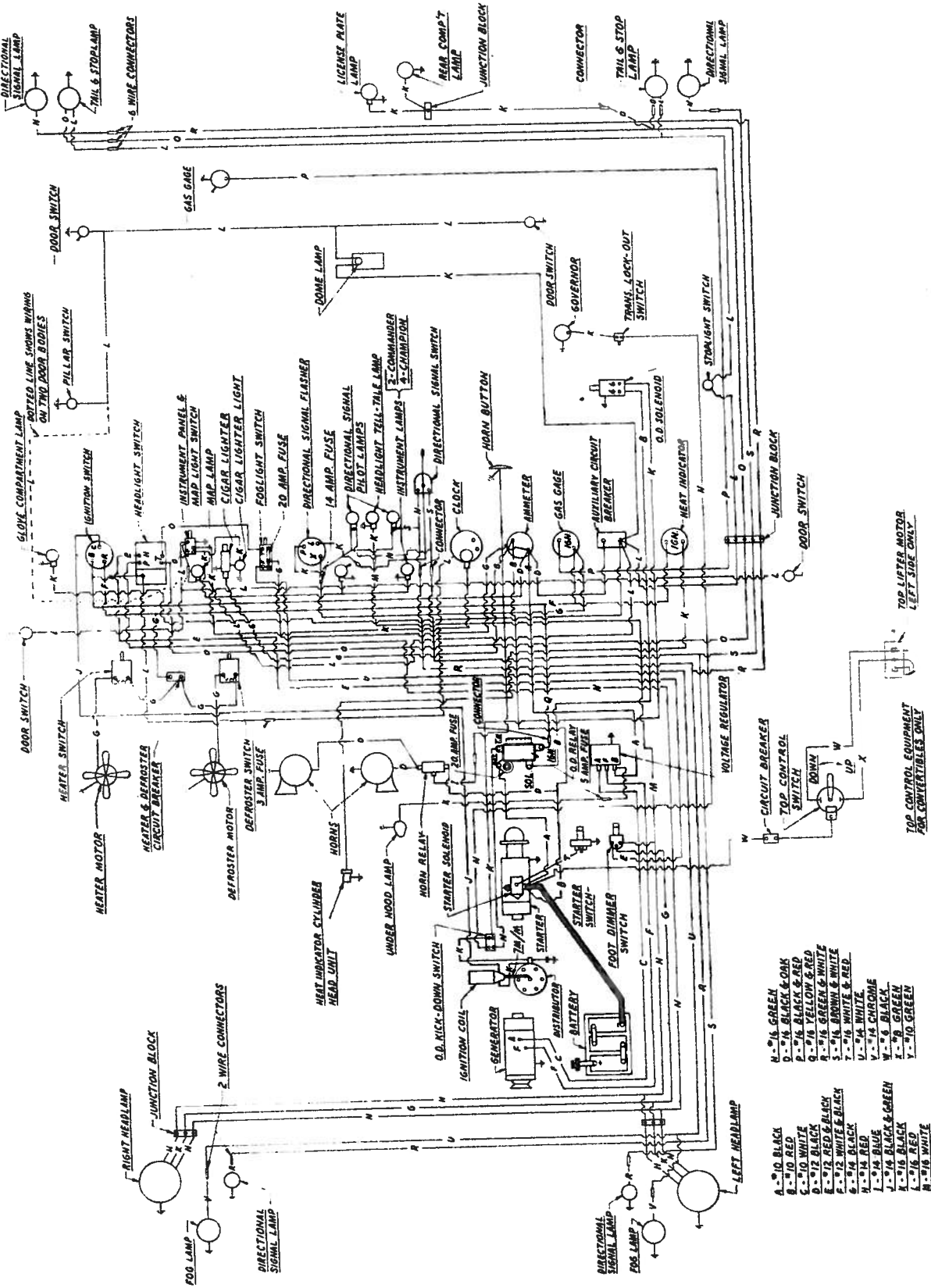
Part No.	Description	Price	Part No.	Description	Price
284116	Glass, R., Sedan	P.O.A.	284973	Glass, Right side	P.O.A.
284117	Glass, L., Sedan	P.O.A.	284974	Glass, right side	P.O.A.
285685	Glass, R., 3 pass. Coupe	P.O.A.	285634	Mould. & weather-strip, R., center	3.95
285686	Glass, L., 3 pass. Coupe	P.O.A.	285635	Mould. & weather-strip, L., center	3.95
284501	Mould. & weather-strip, Deluxe sedan	3.60	285632	Mould. & weather-strip, R. side	3.45
284502	Mould. & weather-strip, Regal sedans	3.70	285633	Mould. & weather-strip, L. side	3.45
285636	Mould. & weather-strip, Deluxe coupe	3.45	285243X	Center bar, inner mould., specify color	.65
285637	Mould. & weather-strip, Regal coupe	3.55	285334X	Right side bar, inner mould., R., specify color	.65
284620X	Center bar inner mould., Sedans, specify color	.65	285335X	Left side bar, inner mould., L., specify color	.65
285615X	Center bar inner mould., 3 pass. Coupe, specify color	.65			

CONVERTIBLES

Part No.	Description	Price
284951	Glass, R., center	P.O.A.
287424	Window frame, in.	5.50
284952	Glass, L., center	P.O.A.
287423	Window frame, out.	5.50

WIRING 1947 to 1949 STUDEBAKER

Commander Models. ALL BODY STYLES



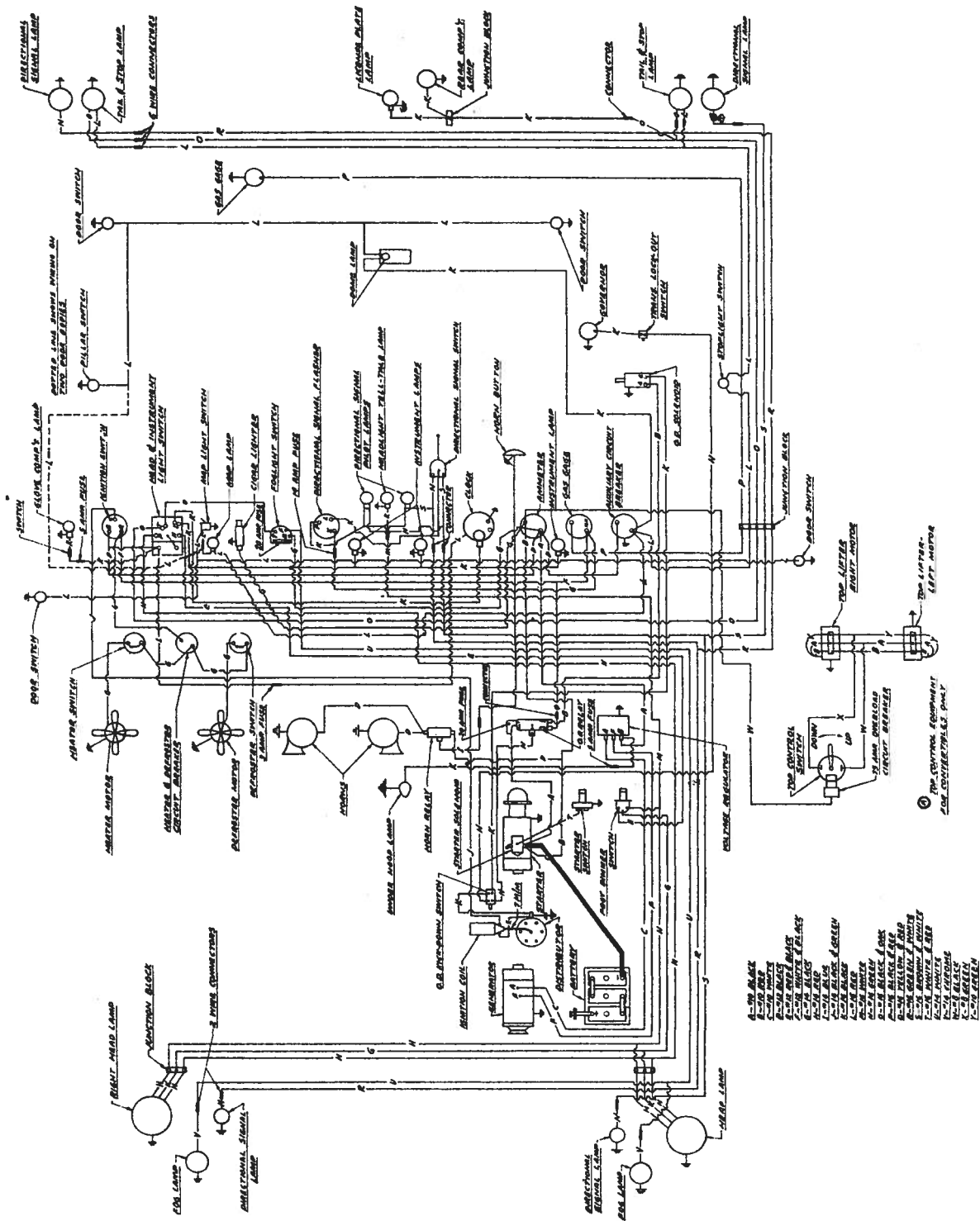
- A - #10 BLACK
- B - #10 RED
- C - #10 WHITE
- D - #16 BLACK & RED
- E - #16 YELLOW & RED
- F - #12 BLACK
- G - #12 RED & BLACK
- H - #12 RED & WHITE
- I - #12 WHITE & BLACK
- J - #14 BLACK
- K - #14 RED
- L - #14 BLUE
- M - #14 CHROME
- N - #14 BLACK & GREEN
- O - #10 BLACK
- P - #10 GREEN
- Q - #10 RED
- R - #10 WHITE
- S - #10 GREEN
- T - #10 BLACK
- U - #10 BLACK
- V - #10 GREEN
- W - #10 BLACK
- X - #10 GREEN
- Y - #10 GREEN
- Z - #10 WHITE

1949-50 Wiring

TOP CONTROL EQUIPMENT FOR CONVERTIBLES ONLY
TOP LIFTER MOTOR LEFT SIDE ONLY

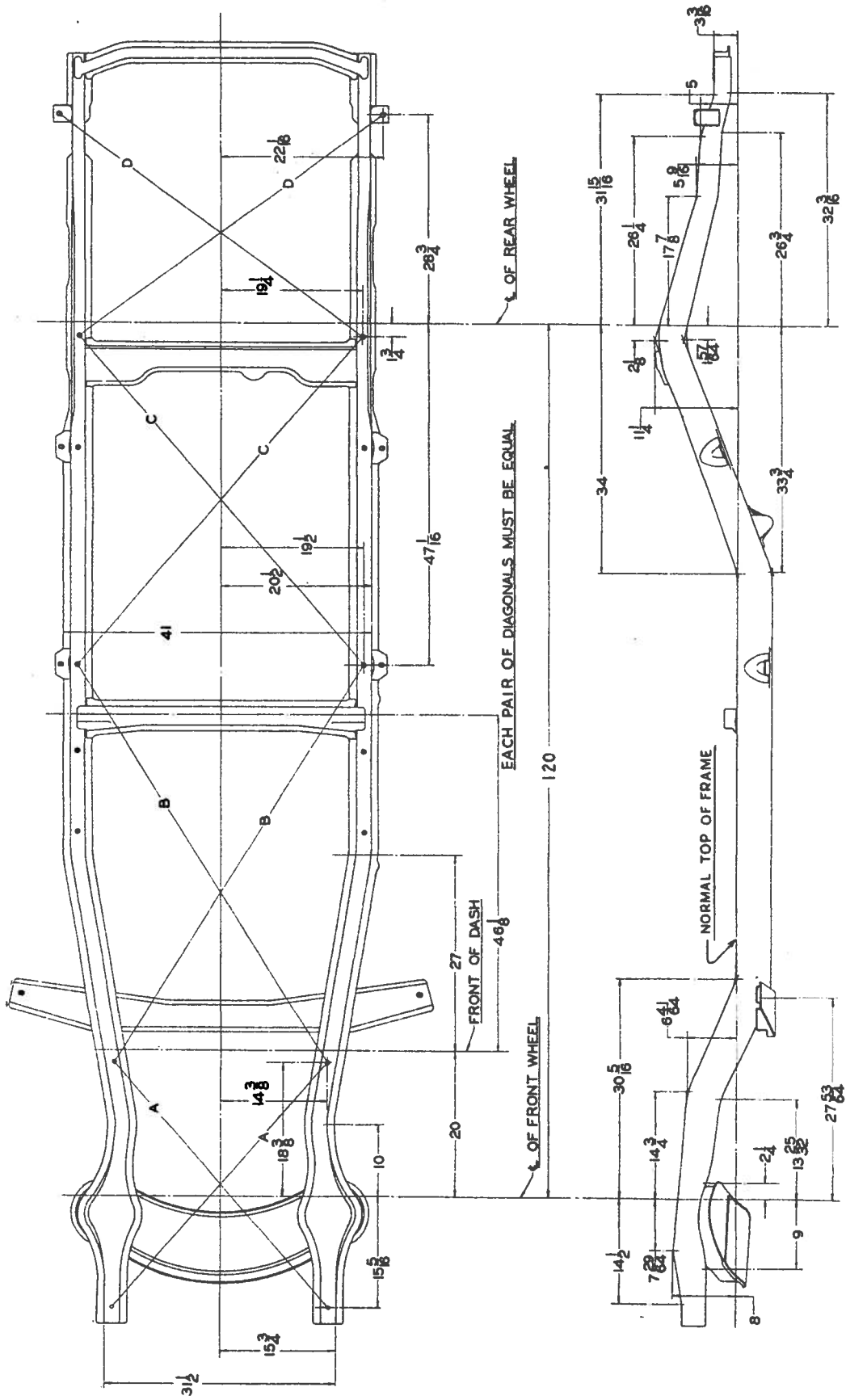
STUDEBAKER 1947 to 1949 WIRING

Commander Models. ALL BODY STYLES



1947-48 Frame

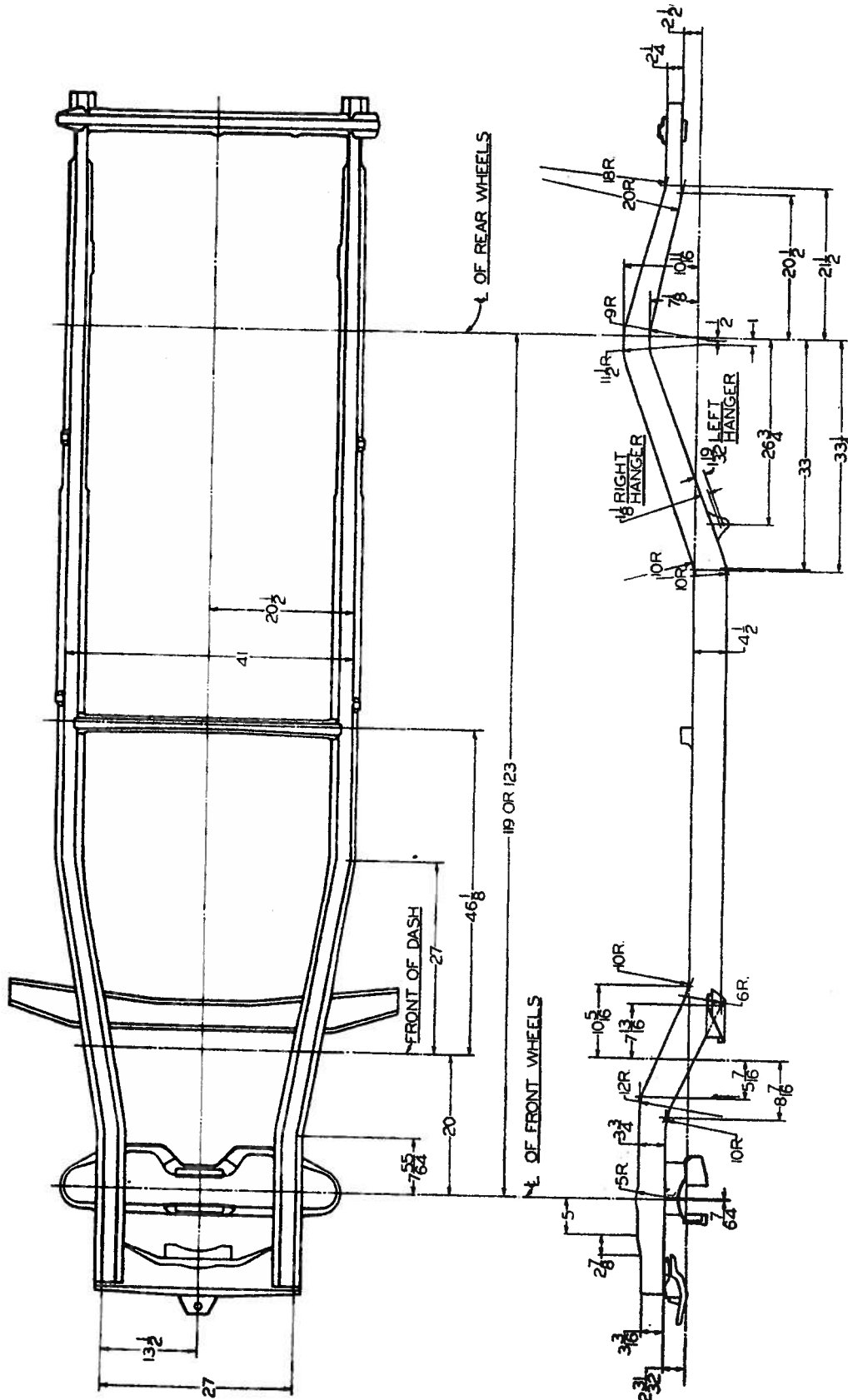
FRAME 1947 to 1949 STUDEBAKER Commander Models. ALL BODY STYLES



1949 Frame

STUDEBAKER 1947 to 1949 FRAME

Commander Models. ALL BODY STYLES



1947-48 Frame

FLAT RATE 1947 to 1949 STUDEBAKER Commander Models. ALL BODY STYLES

Chilton Job No.	Chilton Labor Price	Chilton Job No.	Chilton Labor Price	Chilton Job No.	Chilton Labor Price	Chilton Job No.	Chilton Labor Price	Chilton Job No.	Chilton Labor Price	Chilton Job No.	Chilton Labor Price	Chilton Job No.	Chilton Labor Price	Chilton Job No.	Chilton Labor Price	Chilton Job No.	Chilton Labor Price		
A		A-continued		B		B-continued		C-continued		D-continued		E-continued		E-continued		F-continued		G	
1a	3.00	7	2.00	1	3.75	13	3.00	8	3.00	2	1.60	3	15.50	13	12.75	1	91.00		
2	2.25	8	2.00	1a	4.50	14	2.00	9	9.50	3	15.50	4	105.00	2	28.00	2	28.00		
3	14.75	9	5.00	2	12.75	15	1.00	4	11.00	5	10.00	5	10.00	3	17.50	3	17.50		
4		10		3	15.50			7	11.00	6	8.00	6	8.00	4	4.00	4	4.00		
4a		11	3.00	4				7x	11.00	7	11.00	7	11.00	5	2.00	5	2.00		
4b		12	5.00	5	4.00	1	3.75	12		7x	11.00	8	10.00	6	2.00	6	2.00		
4c	4.00	13	2.50	6	2.00	1a	4.50	13	2.00	8	8.00	8	8.00	7	3.25	7	3.25		
5	18.00	14		7	2.00	2	10.75	14	2.00	9	50.00	9	50.00	8	3.25	8	3.25		
5a	3.00	15	1.00	8	3.00	3	15.50	15	1.00	9x	45.00	10		9	2.00	9	2.00		
5b	8.75	16		9		4				9y	45.00	11	1.50	10	30.00	10	30.00		
5c	2.00	17	1.75	10	4.00	5	4.00			10	30.00	12		11		11			
5d	10.75	18	8.50	11	2.50	6	2.00	D		1	101.00	13		12		12			
6	31.25	20	4.00	12		7		1a	2.25	2	30.00	14		13		13			
		20x	7.00									1a	4.50	14	2.00	14	2.00		

STEERING GEOMETRY

CASTER: (1947) 1 1/2 degree. (1948-9) 2 to 3 degree negative.

CAMBER: 1/2 to plus or minus 1/4 degree.

TOE-IN: 1/16 to 1/8 inches.

KING PIN INCLINATION: 5 1/2 degree.

ADJUSTMENT

CASTER AND CAMBER is controlled by means of shims back of upper control arm inner bracket. Adding shims to the rear bracket will decrease caster, camber may be reduced by adding shims back of both front and rear brackets.

NOTE: Adding shims behind the rear bracket to decrease caster will also tend to decrease camber. This may be overcome by removing shims from the front bracket when adjusting caster only.

