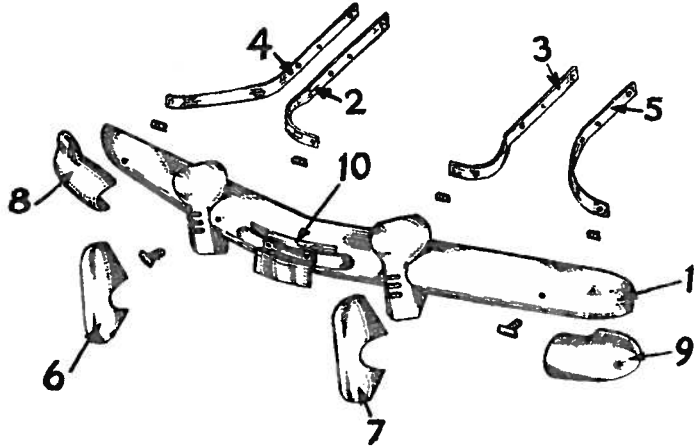


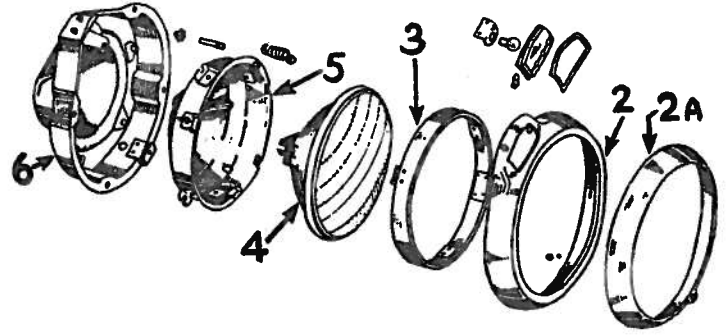
# STUDEBAKER 1947 to 1949 BODY PARTS

## Champion Models. ALL BODY STYLES



**FRONT BUMPER**

Item Part No.	Description	Price	Item Part No.	Description	Price
1	518299—Face bar, 1947	\$20.00	6	523242—Vertical guard, 1948	4.50
1	523233—Face bar, 1948	16.00	6	524901—Vertical guard, R., 1949	4.50
1	525061—Face bar, 1949	22.50	7	519042—Vertical guard, L., 1947	6.00
2	518089—Brkt., in. R., 1947	1.20	7	524900—Vertical guard, L., 1949	4.50
2	523245—Brkt., in. R., 1948	1.20	8	520420—Wing guard, R., 1947-48	7.50
2	525347—Brkt., in., 1949	2.75	9	520421—Wing guard, L., 1947-48	7.50
3	518090—Brkt., in., 1947	1.20	10	518496—Lic. brkt., 1947	.75
3	523246—Brkt., in. L., 1948	1.20	10	523531—Lic. brkt., 1948	.75
4	518087—Brkt., out. R., 1947	1.20	10	525049—Lic. brkt., 1949	.75
4	523247—Brkt., out. R., 1948	1.20			
4	525348—Brkt., out. R., 1949	1.85			
5	518088—Brkt., out. L., 1947	1.20			
5	523248—Brkt., out. L., 1948	1.20			
5	525349—Brkt., out. L., 1949	1.85			
6	519041—Vertical guard, R., 1947	6.00			



**HEAD LAMP**

Item Part No.	Description	Price
1	285175—Assembly	11.50
2	285177—Door, w/park. lite.	2.75
2A	285963—Door, w/o park. lite	1.95
3	285187—Retainer	1.10
4	272586—Sealed beam unit	1.30
5	285185—Base	1.35
6	285183—Body	3.25

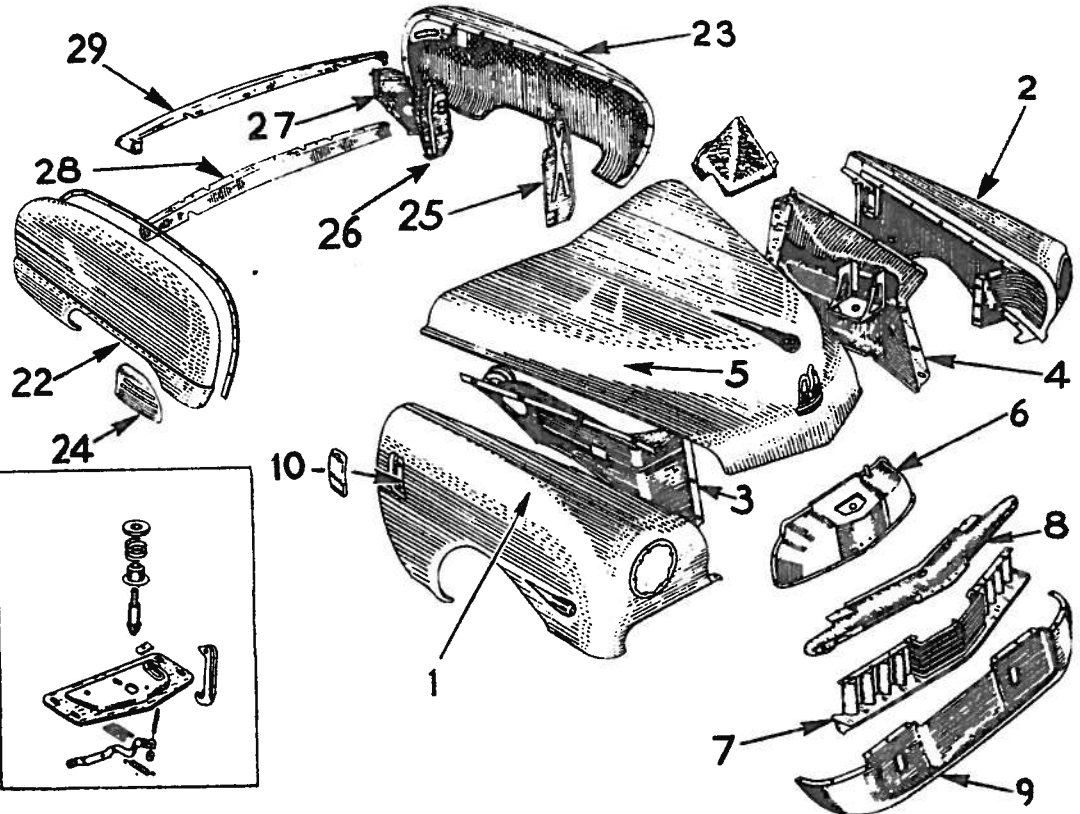
**DIRECTIONAL LIGHTS**

*Not illustrated*

Part No.	Description	Price
285305	—Assembly, R.	6.75
285306	—Assembly, L.	6.75

**FRONT AND REAR FENDER, GRILLE, HOOD**

Item Part No.	Description	Price
1	287885—R.F. fender	30.00
2	285621—L.F. fender	30.00
3	287524—R.F. fender apron	5.50
4	284385—L.F. fender apron & battery cradle	7.00
5	284106—Hood, 1947	38.50
5	288769—Hood, 1948-49	38.50
6	284344—Rad. up. air deflector, 1947-48	3.25
6	290488—Rad. up. air deflector, 1949	3.25
7	284269—Grille, 1947	29.00
7	288794—Grille, 1948	31.00
7	290190—Grille, 1949	31.00
8	285149—Up. grille panel, 1947	6.50
8	288766—Up. grille panel, 1948-49	6.50
9	284109—Lower fender panel	9.75
10	284990—Vent door, 1947-48	1.00
10	290162—Vent door, 1949	1.00



**REAR FENDER**

22	289126—Right rear fender, 4 door	21.50
23	289127—Left rear fender, 4 door	23.00
22	289128—Right rear fender, 2 door	22.00
23	289129—Left rear fender, 2 door	23.50
24	286254—Gravel shield, R., Deluxe, 4 door	2.60
24	286255—Gravel shield, L., Deluxe, 4 door	2.60
24	284438—Gravel shield, R., Regal, 4 door	3.95
24	284439—Gravel shield, L., Regal, 4 door	3.95
24	286252—Gravel shield, R., Deluxe, 2 door	3.00
24	286253—Gravel shield, L., Deluxe, 2 door	3.00
24	284860—Gravel shield, R., Regal, 2 door	4.95
24	284861—Gravel shield, L., Regal, 2 door	4.95
25	286582—F. deflector, R., 2 door sedan	1.15
25	286583—F. deflector, L., 2 door sedan	1.15
25	286584—F. deflector, R., coupes	1.15

Item Part No.	Description	Price
25	286585—F. deflector, L., coupes	1.15
26	284430—Rear deflector	1.15
27	286646—Gas tank neck protector	.75

Item Part No.	Description	Price	Item Part No.	Description	Price
28	520455—Deflector, to bumper, 1947	2.95	28	523377—Deflector, to frame, 1949	2.9
28	523230—Deflector, to bumper, 1948	2.95	29	288757—Deflector, to body, 1948-49	2.5

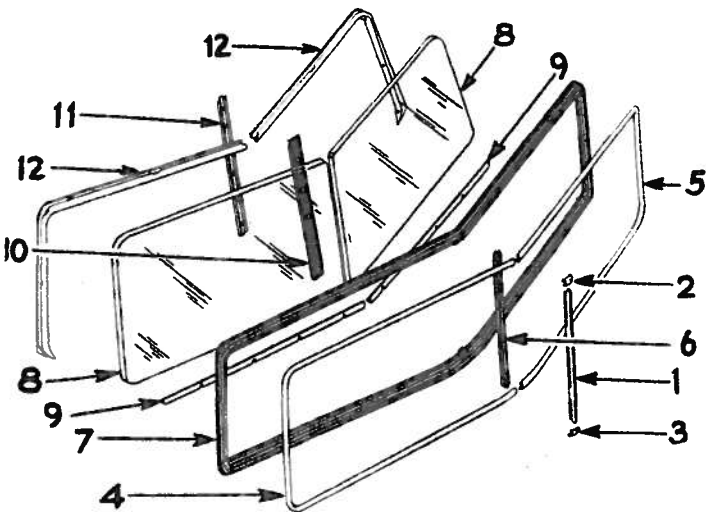
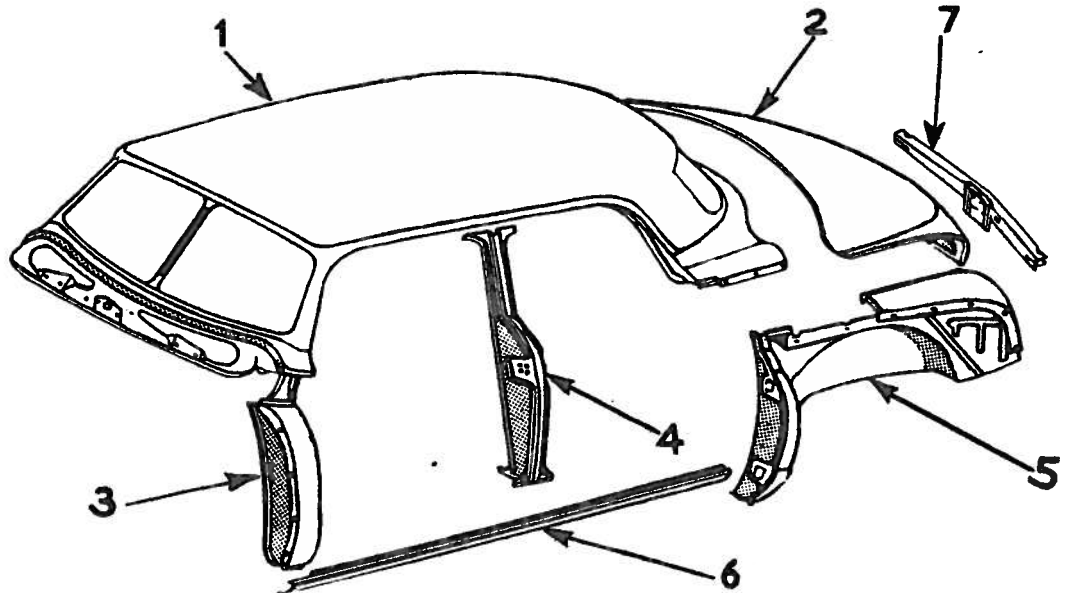
# BODY PARTS 1947 to 1949 STUDEBAKER

## Champion Models. ALL BODY STYLES

### BODY SHEET METAL

#### FOUR DOOR MODELS

Item Part No.	Description	Price
1 287782	Roof panel, 1947-48.	87.65
1 290900	Roof panel, 1949	87.65
2 284812	Trunk lid	30.00
3 284604	Cowl panel, R.	14.00
3 284605	Cowl panel, L.	14.00
4 284662	Center pillar, R.	11.00
4 284663	Center pillar, L.	11.00
5 609382	Wheel house panel, R.	32.50
5 609383	Wheel house panel, L.	32.50
6 286386	Sill panel, R. (Deluxe)	3.00
6 286389	Sill panel, L. (Deluxe)	3.00
6 284330	Sill panel, R. (Regal) 1947 early 1948.	3.25
6 284331	Sill panel, L. (Regal) 1947 early 1948.	3.25
6 289140	Sill panel, R. (Regal) 1948-49.	3.25
6 289141	Sill panel, L. (Regal) 1948-49.	3.25
7 287895	Trunk sill, 1947, early	1.75
7 287859	Trunk sill, 1947-48-49.	1.75



### WINDSHIELD

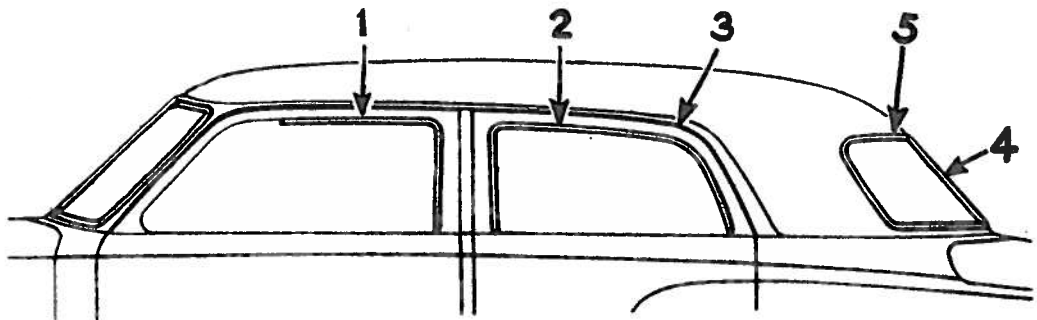
#### 2 & 4 DOOR SEDANS & 3 PASS. COUPE

Item Part No.	Description	Price	Item Part No.	Description	Price
1 284446	Center moul., outside DeLuxe	.85	9 289782	Lower glass channel retainer, R., 1949.	.75
1 285224	Center Moul., outside Regal	.85	9 289783	Lower glass channel retainer, L., 1949.	.75
2 278721	Center clip, upper	.12	10 284448	Weatherstrip, inner center bar	.20
3 278710	Center clip, lower	.12	11 284447X1	Inner moul., cen. bar, 1947-48, DeLuxe.	.60
4 285006	Right reveal, moul., Regal	1.90	11-284447X2	Inner moul., cen. bar, 1947-48, Regal	.85
5 285007	Left reveal, moul., Regal	1.90	11 284447X5	Inner moul., cen. bar, 1949	.80
6 284445	Center bar, inside	2.25	12 284395	Garnish moul., R., specify color	3.00
7 284500	Glass channel, rubber, DeLuxe	3.75	12 284396	Garnish moul., L., specify color	3.00
7 284869	Glass channel, rubber, Regal	4.00			
8 284528	Glass, R. or L.	P.O.A.			
9 284223	Lower glass channel retainer, 1947-48	.20			

### BODY MOLDING

#### FOUR DOOR SEDAN

Item Part No.	Description	Price
1 284486	R. F. door window, reveal	1.25
1 284487	L. R. door window, reveal	1.25
2 284830	R. R. door window, reveal	1.50
2 284631	L. R. door window, reveal	1.50
3 284313	Roof drip midg., R.	1.00
3 284314	Roof drip midg., L.	1.00
4 284617	Back window, center	1.20
5 285028	Back window, reveal, R.	1.75
5 285029	Back window, reveal, L.	1.75



# STUDEBAKER 1947 to 1949 BODY PARTS

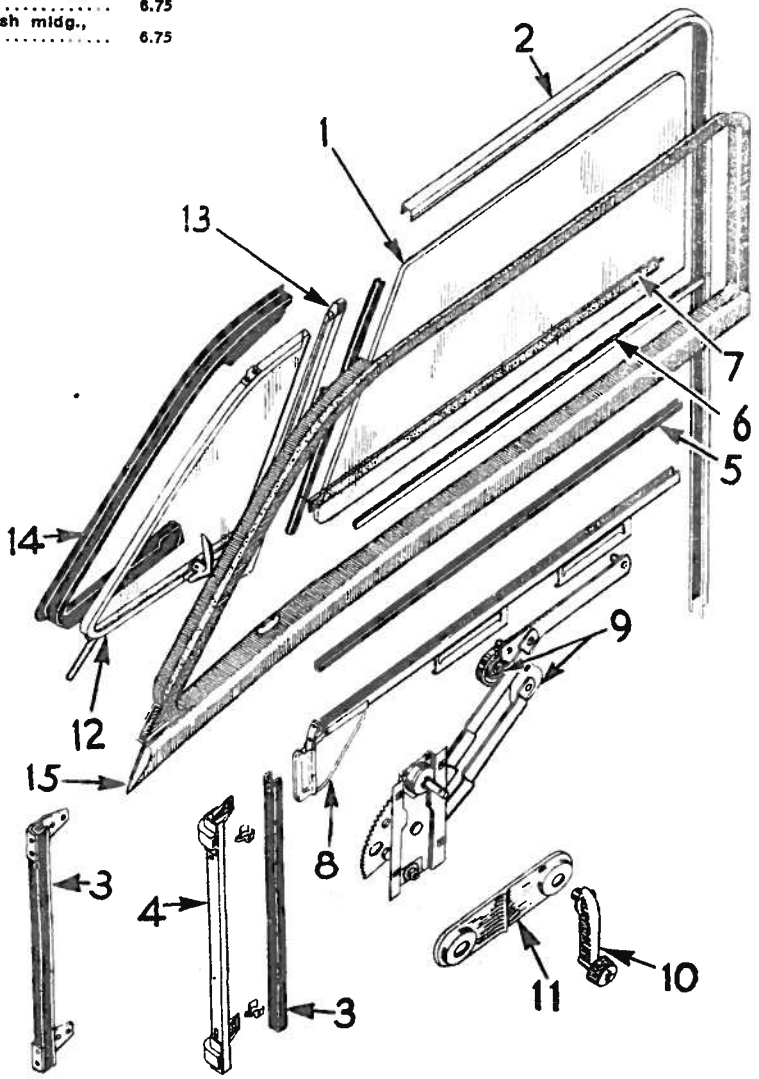
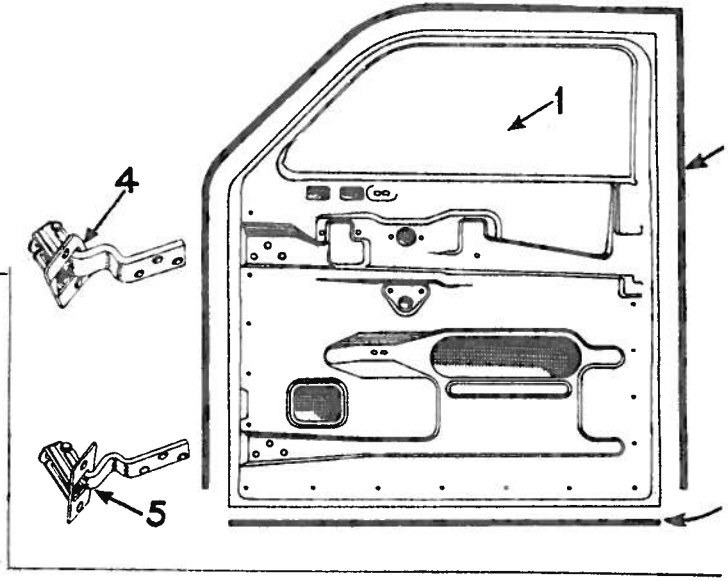
## Champion Models. ALL BODY STYLES

### DOORS FRONT DOOR, FOUR DOOR MODELS

Item Part No.	Description	Price	Item Part No.	Description	Price
1 290410	Right front door, stripped	38.50	3 1846X39	Weather strip, low.	.60
1 290411	Left front door, stripped	38.50	4 284512	Hinge, up. R.	2.75
2 1734X125	Weather strip, up.	1.95	4 284513	Hinge, up. L.	2.75
			5 284516	Hinge, low. R.	1.75
			5 284517	Hinge, low. L.	1.75

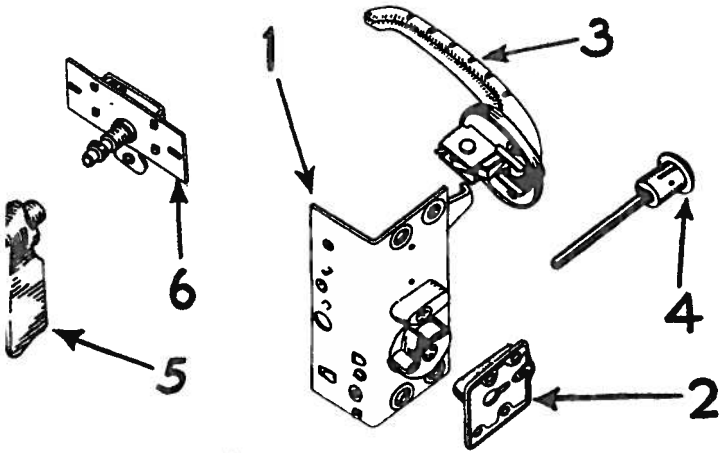
### FRONT DOOR WINDOW FOUR DOOR SEDANS

Item Part No.	Description	Price	Item Part No.	Description	Price
1 284576	Front door glass ... P.O.A.		15 288993X1	Garnish midg., L., late 1947-48 Deluxe	6.75
2 1706XA54	Glass run, up.	1.05	15 286338X2	Garnish midg., R., 1947 Regal	7.75
3 1863X16	Glass run, front, lower, '47, early '48	.45	15 286339X2	Garnish midg., L., 1947 Regal	7.75
3 289278	Glass run, front, lower, late 1948-49	.90	15 288992X2	Garnish midg., R., late 1947-48 Regal	7.75
4 284290	Glass front run retainer, '47, early '48	.80	15 288993X2	Garnish midg., L., late 1947-48 Regal	7.75
5 1835X21	Glass weather strip	.20	15 290578X5	Garnish midg., R., 1949	6.75
6 284410	Weather seal, in. R.	.40	15 290579X5	Garnish midg., L., 1949	6.75
6 284411	Weather seal, in. L.	.40			
7 284411	Weather seal, out. R.	.40			
7 284410	Weather seal, out. L.	.40			
8 284733	Glass lift channel, R.	1.50			
8 284734	Glass lift channel, L.	1.50			
9 284842	Window regitr., R., 1947-48	3.50			
9 284843	Window regitr., L., 1947-48	3.50			
9 289790	Window regitr., R., 1949	4.00			
9 289791	Window regitr., L., 1949	4.00			
10 284712	Regitr. handle, 1947	1.25			
10 285241X1	Regitr. handle, 1948	1.25			
10 285241X2	Regitr. handle, 1949	1.25			
11 286366P	Handle escutcheon, 1947-48 Deluxe	.75			
11 289290	Handle escutcheon, 1948 Deluxe, late	.25			
11 284211	Handle escutcheon, 1947-48 Regal	1.00			
11 289291X2	Handle escutcheon, 1949 Deluxe	.25			
11 285487W	Handle escutcheon, 1949 Regal	.35			
12 284584	Vent frame & glass, R., 1947 Deluxe	5.60			
12 284585	Vent frame & glass, L., 1947 Deluxe	5.60			
12 288196	Vent frame & glass, R., late 1947-48 Deluxe	5.60			
12 288197	Vent frame & glass, L., late 1947-48 Deluxe	5.60			
12 290350	Vent frame & glass, R., 1949 Deluxe	5.60			
12 290351	Vent frame & glass, L., 1949 Deluxe	5.60			
12 285778	Vent frame & glass, R., early 1947 Regal	6.45			
12 285779	Vent frame & glass, L., early 1947 Regal	6.45			
12 288862	Vent frame & glass, R., 1947-48 Regal	6.45			
12 288863	Vent frame & glass, L., 1947-48 Regal	6.45			
12 290352	Vent frame & glass, R., 1949 Regal	6.45			
12 290353	Vent frame & glass, L., 1949 Regal	6.45			
13 284582	Division channel, R.	2.10			
13 284583	Division channel, L.	2.10			
14 284594	Vent weather strip, R.	1.25			
14 284595	Vent weather strip, L.	1.25			
15 286338X1	Garnish midg., R., 1947 Deluxe	6.75			
15 286339X1	Garnish midg., L., 1947 Deluxe	6.75			
15 288992X1	Garnish midg., R., late 1947-48 Deluxe	6.75			



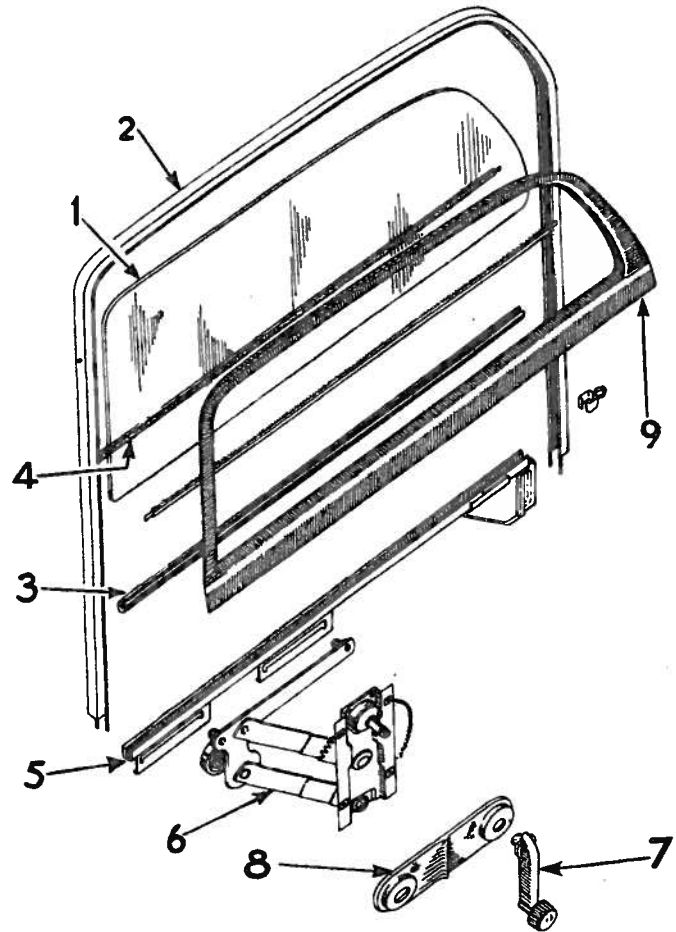
# BODY PARTS 1947 to 1949 STUDEBAKER

## Champion Models. ALL BODY STYLES



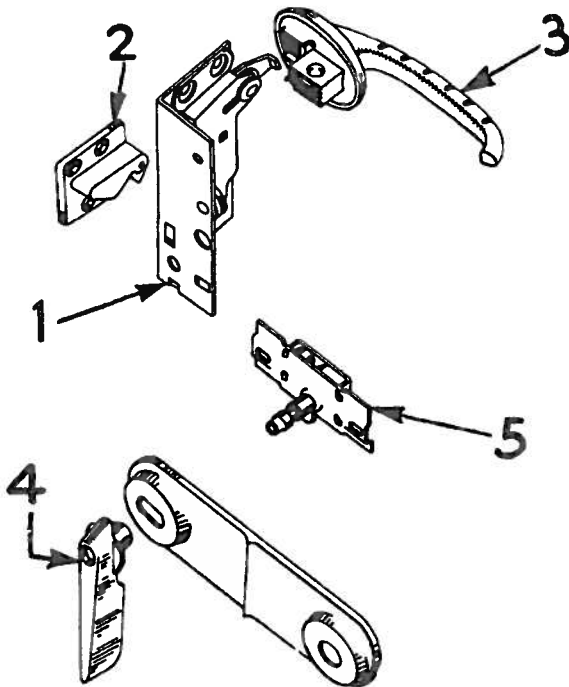
**FRONT DOOR LOCK  
FOUR DOOR SEDANS**

Item Part No.	Description	Price	Item Part No.	Description	Price
1	284796—Lock, R., 1947-48..	3.25	4	287499—Lock cyl. & key (Hurd), 1947 .....	1.70
1	284797—Lock, L., 1947-48..	3.25	4	289336—Lock cyl. & key, 1949 .....	1.25
2	265129—Lock striker, R., 1947 .....	.55	5	284209—inside handle .....	1.00
2	265130—Lock striker, L., 1947 .....	.55	6	284686—Remote control, R., 1947-48 .....	.65
1	289308—Lock, R., 1949 .....	3.25	6	284687—Remote control, L., 1947-48 .....	.65
1	289309—Lock, L., 1949 .....	3.25	6	289292—Remote control, R., 1949 .....	.85
2	289158—Lock striker, R., 1948-49 .....	.53	6	289293—Remote control, L., 1949 .....	.85
2	289159—Lock striker, L., 1948-49 .....	.53			
3	284455—Outside handle .....	2.25			
4	287498—Lock cyl. & key (Yale), 1947-48 .....	1.25			



**REAR DOOR WINDOW**

Item Part No.	Description	Price	Item Part No.	Description	Price
1	284627—Door glass .....	P.O.A.	8	289290—Escutcheon plate, Deluxe 1948, late .....	.50
2	1706XA78—Glass run .....	1.45	8	284211W—Escutcheon plate, Regal 1947-48 .....	1.00
3	1835X24—Weatherstrip .....	.25	8	289291X2—Escutcheon plate, Deluxe 1949 .....	.25
4	284412—Weatherseal .....	.40	8	285487W—Escutcheon plate, Regal 1949 .....	.35
5	284735—Lift channel, R. ....	1.25	9	287600X1—Garnish midg., R., 1947-48 Deluxe .....	5.00
5	284736—Lift channel, L. ....	1.25	9	287601X1—Garnish midg., L., 1947-48 Deluxe .....	5.00
6	284844—Window regitr., R., 1947-48 .....	3.50	9	287600X2—Garnish midg., R., 1947-48 Regal .....	6.00
6	284845—Window regitr., L., 1947-48 .....	3.50	9	287601X2—Garnish midg., L., 1947-48 Regal .....	6.00
6	289792—Window regitr., R., 1949 .....	4.00	9	287600X5—Garnish midg., R., 1949 .....	5.00
6	289793—Window regitr., L., 1949 .....	4.00	9	287601X5—Garnish midg., L., 1949 .....	5.00
7	284712—Regitr. handle, 1947 .....	1.25			
7	288241X1—Regitr. handle, 1948 .....	1.25			
7	288241X2—Regitr. handle, 1949 .....	1.25			
8	286366—Escutcheon plate, Deluxe 1947-48 .....	.75			

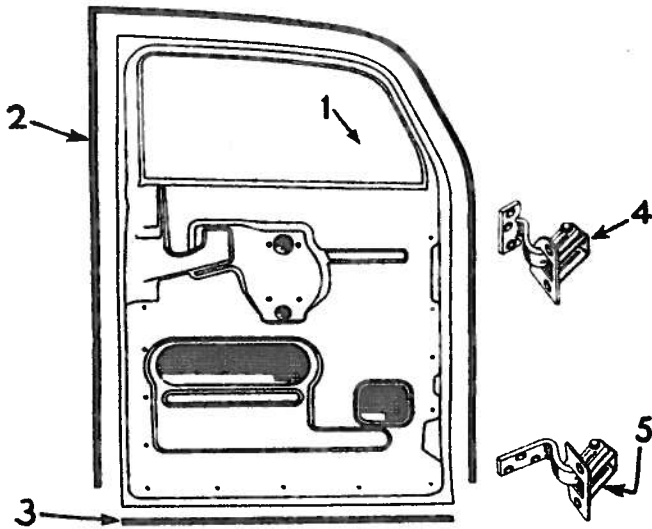


**REAR DOOR LOCK**

Item Part No.	Description	Price	Item Part No.	Description	Price
1	284798—Lock, R. ....	3.00	2	289158—Lock striker, L., 1948-49 .....	.55
1	284799—Lock, L. ....	3.00	3	284455—Outside handle .....	2.25
2	265130—Lock striker, R., 1947 .....	.55	4	284209—Inside handle .....	1.00
2	265129—Lock striker, L., 1947 .....	.55	5	284686—Remote control, R. ....	.65
2	289159—Lock striker, R., 1948-49 .....	.55	5	284687—Remote control, L. ....	.65

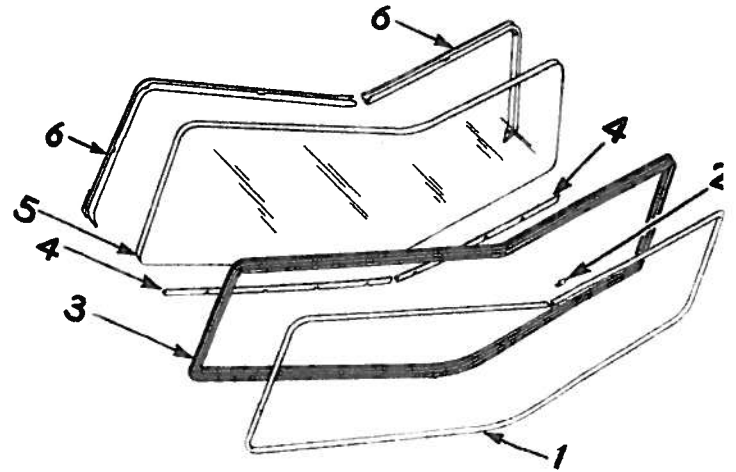
# STUDEBAKER 1947 to 1949 BODY PARTS

## Champion Models. ALL BODY STYLES



### REAR DOOR

Item Part No.	Description	Price	Item Part No.	Description	Price
1 290412	Right rear door, stripped	36.50	3 1846X30½	Weatherstrip, lower	.55
1 290413	Left rear door, stripped	36.50	4 284520	Hinge, upper R.	1.75
2 1754X125	Weatherstrip, up.	1.95	4 284521	Hinge, upper L.	1.75
			5 284524	Hinge, lower R.	1.75
			5 284525	Hinge, lower L.	1.75



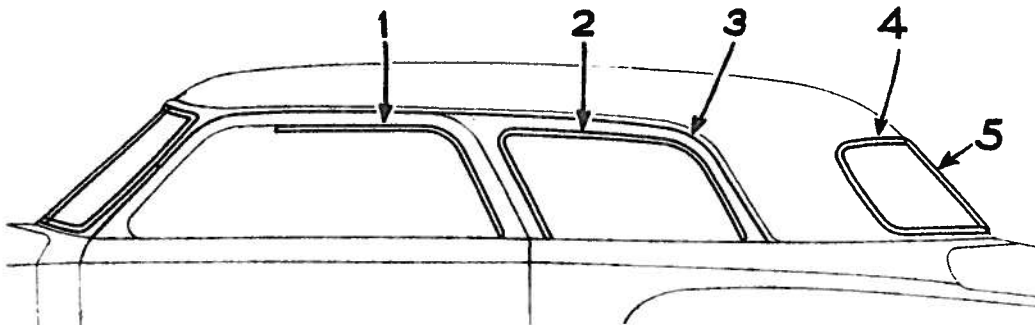
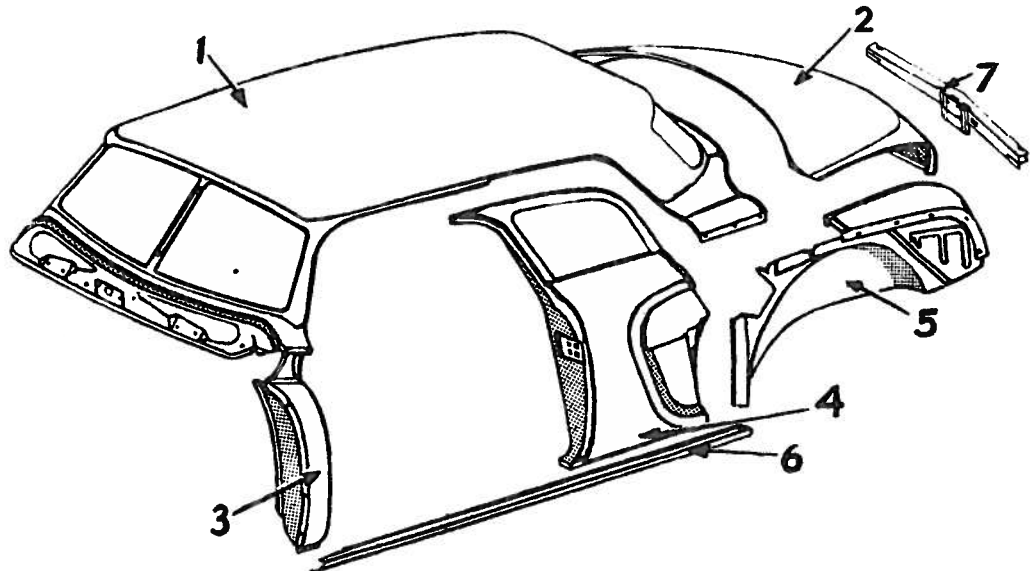
### WINDSHIELD

#### 5 PASSENGER COUPE & CONVERTIBLE

Item Part No.	Description	Price	Item Part No.	Description	Price
1 285000	Reveal moulding	3.25	4 289784P	Glass channel retainer, R., 1949	.75
2 278624	Reveal Moul. clip	.08	4 289785Q	Glass channel retainer, L., 1949	.75
3 1680X2	Glass channel, rubber	4.00	5 284387	Glass, specify color	P.O.A.
4 284684	Glass channel retainer, R., 1947-48	.30	6 284397	Garnish moul., R., specify color	3.00
4 284685	Glass channel retainer, L., 1947-48	.30	6 284398	Garnish moul., L., specify color	3.00

### BODY SHEET METAL TWO DOOR SEDANS

Item Part No.	Description	Price
1 287783	Roof panel, 1947-48	86.65
1 290901	Roof panel, 1949	86.65
2 284812	Trunk lid	30.00
3 284604	Cowl panel, R.	14.00
3 284605	Cowl panel, L.	14.00
4 287775	Quar. panel, R.	31.00
4 287776	Quar. panel, L.	31.00
5 609384	Whl. house panel, R.	24.50
5 609385	Whl. house panel, L.	24.50
6 286302	Sill panel, R. (Deluxe)	3.75
6 286303	Sill panel, L. (Deluxe)	3.75
6 284473	Sill panel, R. (Regal) 1947 early '48	4.00
6 284474	Sill panel, L. (Regal) 1947 early '48	4.00
6 289170	Sill panel, R. (Regal) 1948-49	4.00
6 289171	Sill panel, L. (Regal) 1948-49	4.00
7 287895	Trunk sill, early 1947	1.75
7 287899	Trunk sill, 1947-48-49	1.75

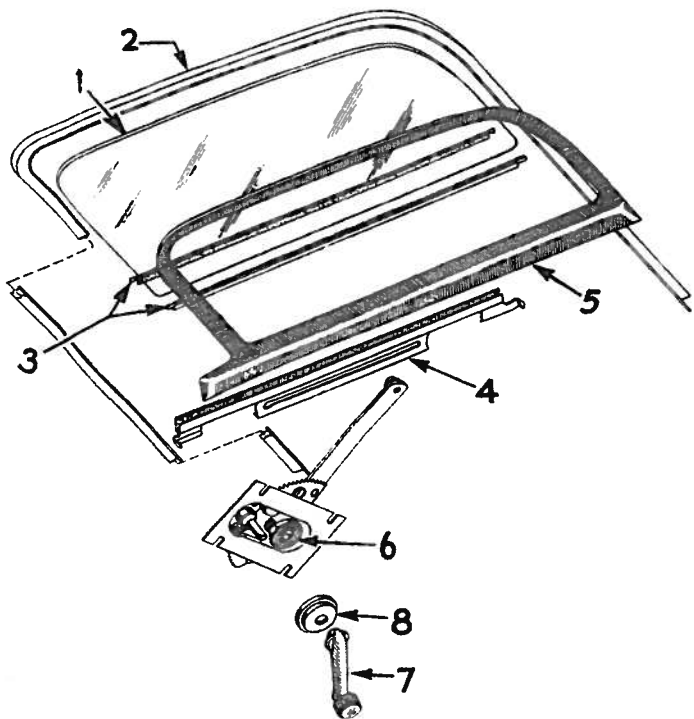


### BODY OUTSIDE MOULDINGS 2-DOOR SEDAN

Item Part No.	Description	Price
1 285425	Right door window, reveal	1.25
1 285426	Left door window, reveal	1.25
2 285303	Right rear quarter, reveal	1.50
2 285304	Left rear quarter, reveal	1.50
3 285575	Roof drip, R.	1.15
3 285576	Roof drip, L.	1.15
4 284817	Back window, Cen.	1.20
5 285028	Back window reveal, R.	1.75
5 285029	Back window reveal, L.	1.75

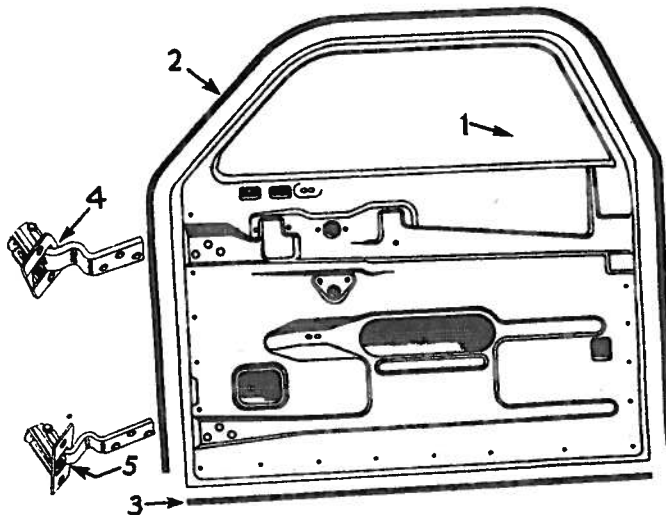
# BODY PARTS 1947 to 1949 STUDEBAKER

## Champion Models. ALL BODY STYLES



**REAR QUARTER WINDOW**  
2 DOOR SEDAN

Item Part No.	Description	Price	Item Part No.	Description	Price
1	285478—Glass	P.O.A.	7	284712—Regitr handle, 1947.	1.25
2	285638—Glass run	1.65	7	288241X1—Regulator handle, 1948	1.25
3	285587—Weatherseal	.35	7	288241X2—Regulator handle, 1949	1.25
4	285605—Lift channel, R.	1.00	8	286349—Escutcheon, 1947-48	.30
5	285506—Lift channel, L.	1.00	8	289291X1—Escutcheon, late 1948	.25
5	287602X—Garnish moul., R., specify color	6.00	8	289291X2—Escutcheon, 1949	.25
5	287603X—Garnish moul., L., specify color	6.00	8	285487W—Escutcheon, all Regal	.35
6	285484—Window regitr, R.	2.50			
6	285485—Window regitr., L.	2.50			



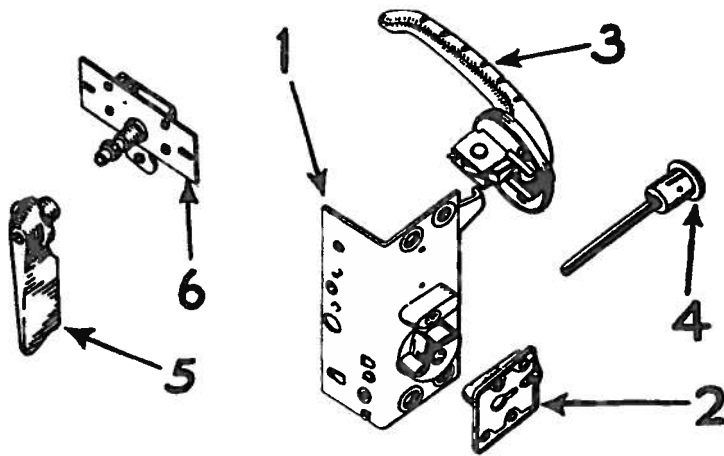
**BODY DOORS**

**TWO DOOR SEDANS & COUPES**

Item Part No.	Description	Price	Item Part No.	Description	Price
1	290414—Right door, stripped	41.00	4	284512—Hinge, up. R.	2.75
1	290415—Left door, stripped	41.00	4	284513—Hinge, upper L.	2.75
2	1754X125—Weatherstrip, up.	1.95	5	284516—Hinge, low. R.	1.75
3	1846X47—Weatherstrip, low.	.75	5	284517—Hinge, low. L.	1.75

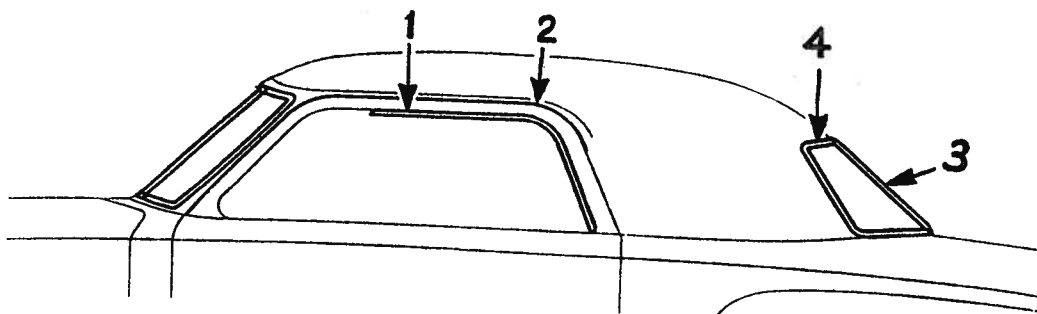
**FRONT DOOR LOCK**  
TWO DOOR SEDANS & COUPES

Item Part No.	Description	Price	Item Part No.	Description	Price
1	284796—Lock, R., 1947-48	3.25	4	287499—Lock cyl. & keys (Hurd), 1947	1.70
1	284797—Lock, L., 1947-48	3.25	4	289336—Lock cyl. & keys, 1949	1.25
2	265129—Lock striker, R., 1947	.55	5	284209—Inside handle	1.00
2	265130—Lock striker, L., 1947	.55	6	284686—Remote control, R., 1947-48	.65
1	289308—Lock, R., 1949	3.25	6	284687—Remote control, L., 1947-48	.65
1	289309—Lock, L., 1949	3.25	6	289292—Remote control, R., 1949	.85
2	289158—Lock striker, R., 1948-49	.55	6	289293—Remote control, L., 1949	.85
2	289159—Lock striker, L., 1948-49	.55			
3	284455—Outside handle	2.25			
4	287499—Lock cyl. & keys (Yale), 1947-48	1.25			



**BODY OUTSIDE MOULDINGS**  
3 PASSENGER COUPE

Item Part No.	Description	Price
1	285425—Right door reveal	1.25
1	285426—Left door reveal	1.25
2	285600—Roof drip, R.	.85
2	285601—Roof drip, L.	.85
3	285516—Back window, cen.	1.20
4	286075—Back window, right. reveal	1.90
4	286076—Back window, left. reveal	1.90
<b>SILK PANEL MOULDINGS</b> (No Picture)		
	285612—Right sill, 1947-48 early	7.95
	285613—Left sill, 1947-48 early	7.95
	289154—Right sill, 1948-49 late	7.50
	289155—Left sill, 1948-49 late	7.50

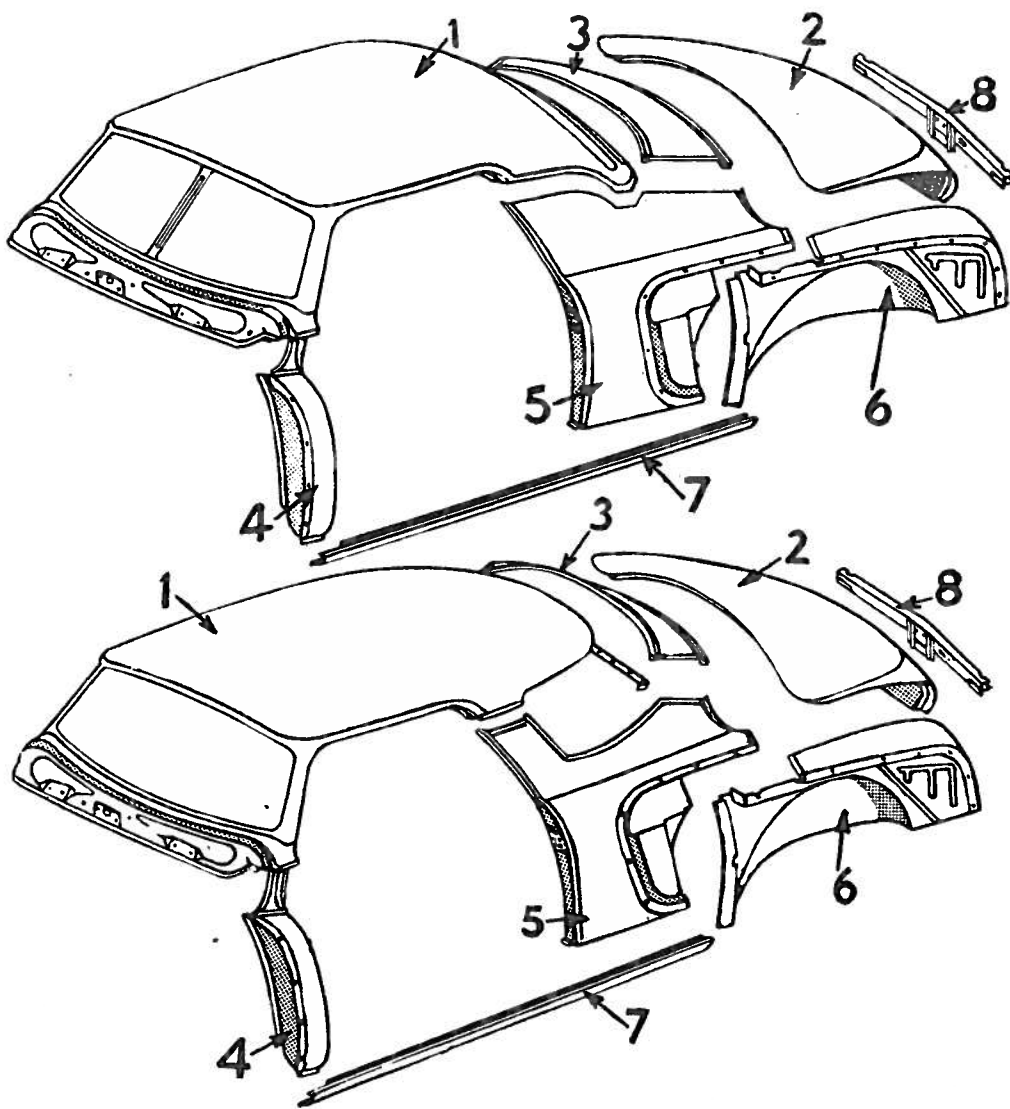


# STUDEBAKER 1947 to 1949 BODY PARTS

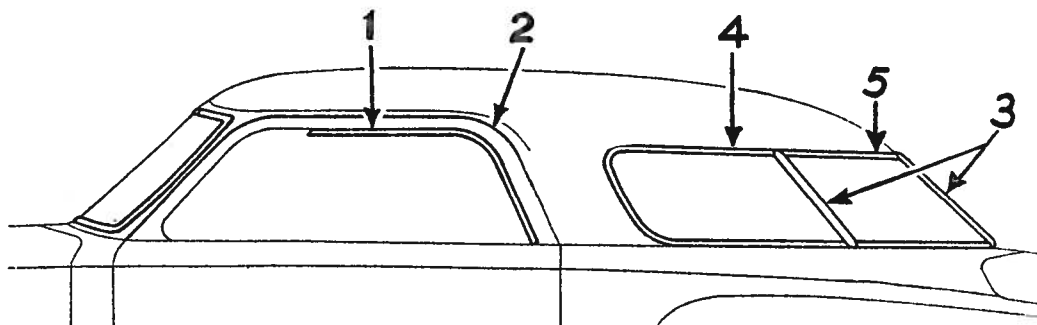
Champion Models. ALL BODY STYLES

## BODY SHEET METAL COUPES

Item	Part No.	Description	Price
1	287784	Roof panel, 5 pass. 1947-48	81.00
1	287785	Roof panel, 3 pass. 1947-48	82.00
1	290903	Roof panel, 5 pass. 1949	81.00
1	290902	Roof panel, 3 pass. 1949	82.00
2	285619	Trunk lid	29.50
3	285889	Up. deck panel, 5 pass.	8.50
3	285166	Up. deck panel, 3 pass.	5.25
4	284604	Cowl panel, R.	14.00
4	284605	Cowl panel, L.	14.00
5	287777	Rear quar. panel, R., 5 pass.	29.00
5	287778	Rear quar. panel, L., 5 pass.	29.00
5	287780	Rear quar. panel, R., 3 pass.	28.00
5	287781	Rear quar. panel, L., 3 pass.	28.00
6	609386	Whl. house panel, R., 5 pass.	24.50
6	609387	Whl. house panel, L., 5 pass.	24.50
6	609388	Whl. house panel, R., 3 pass.	24.50
6	609389	Whl. house panel, L., 3 pass.	24.50
7	286302	Sill panel, R. (Deluxe)	3.75
7	286303	Sill panel, L. (Deluxe)	3.75
7	284473	Sill panel, R. (Regal), '47, early '48	4.00
7	284474	Sill panel, L. (Regal), '47, early '48	4.00
7	289170	Sill panel, R. (Regal), 1948-49	4.00
7	289171	Sill panel, L. (Regal), 1948-49	4.00
8	287895	Trunk sill, early 1947	1.75
8	287959	Trunk sill, 1947-48-49	1.75



## BODY OUTSIDE MOULDINGS 5 PASSENGER COUPE After Body C5-501



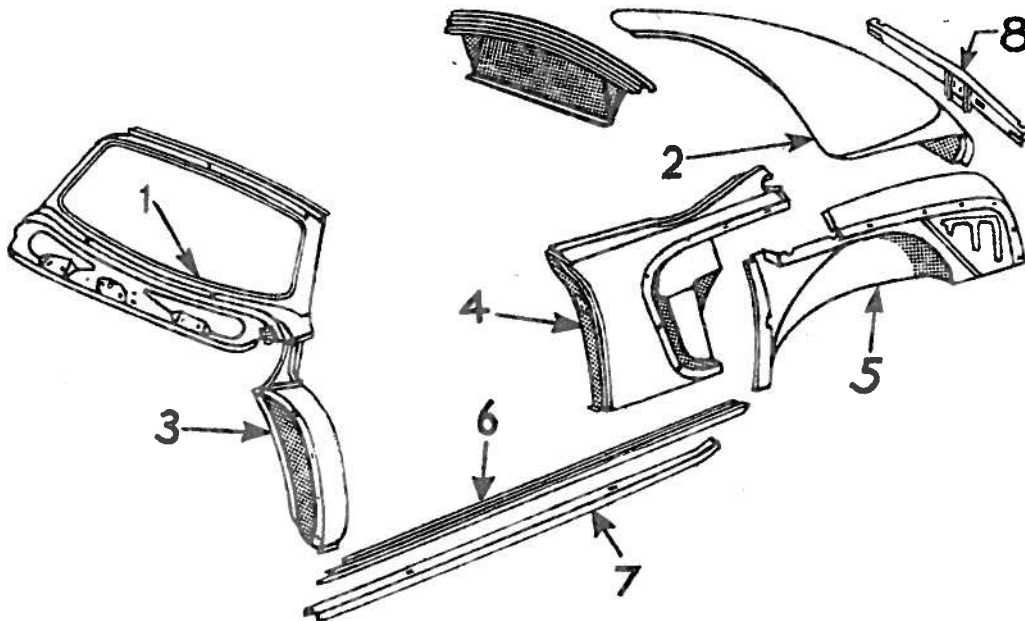
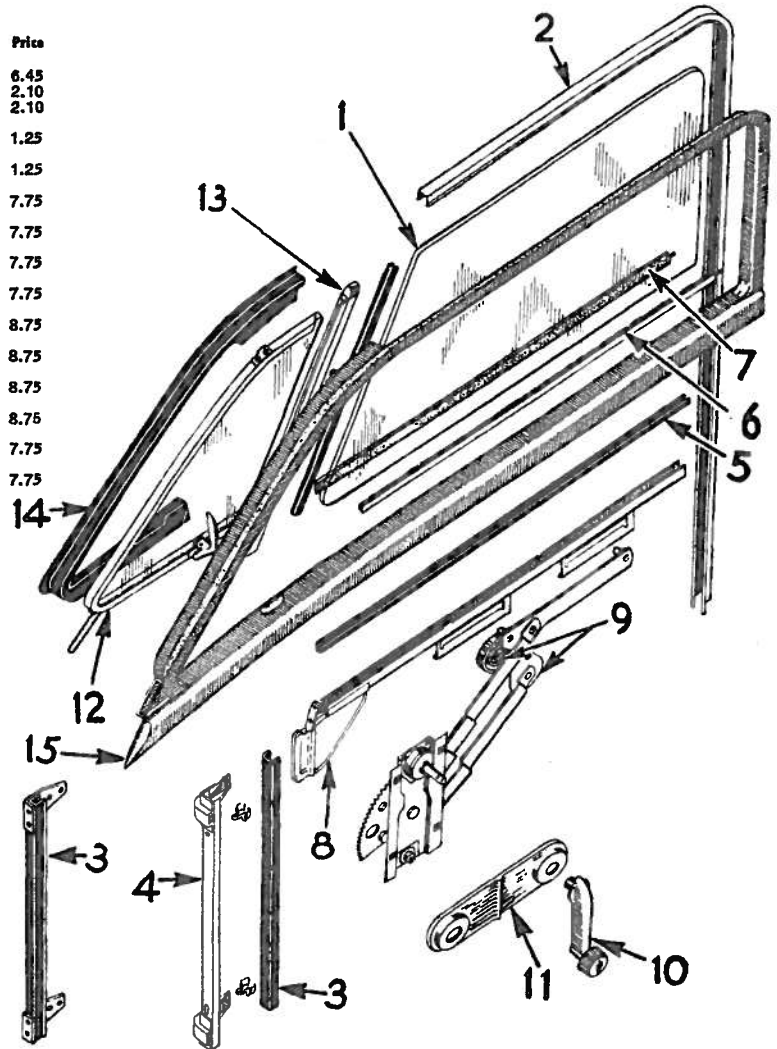
Item	Part No.	Description	Price
1	285425	Right door reveal..	1.25
1	285426	Left door reveal...	1.25
2	285600	Roof drip, R. ....	.85
2	285601	Roof drip, L. ....	.85
3	285241	Back window, center bar	1.20
3	283336	Back window, right side bar	1.20
3	285337	Back window, left side bar	1.20
4	285632	Back window, right side	3.45
4	285633	Back window, left side	3.45
5	285634	Back window, right center	3.95
5	285635	Back window, left center	3.95

# BODY PARTS 1947 to 1949 STUDEBAKER

## Champion Models. ALL BODY STYLES

### FRONT DOOR WINDOW TWO DOOR SEDANS & COUPES

Item	Part No.	Description	Price	Item	Part No.	Description	Price
1	284888	Door glass	P.O.A.	12	290353	Vent frame & glass, L., 1949 Regal	6.45
2	1706XA54	Glass run, up	1.05	13	284582	Division channel, R.	2.10
3	1863X16	Glass run, front L., 1947, early 1948	.45	13	284583	Division channel, L.	2.10
3	289278	Glass run, front L., late 1948-49	.90	14	284594	Vent weatherstrip, R.	1.25
4	284260	Glass front run retainer, 1947, early 1948	.80	14	284595	Vent weatherstrip, L.	1.25
5	1835X293/4	Glass weatherstrip	.30	15	286340X1	Garnish midg., R., 1947 Deluxe	7.75
6	285645	Weatherseal, in. R.	.45	15	286341X1	Garnish midg., L., 1947 Deluxe	7.75
6	285646	Weatherseal, in. L.	.45	15	288994X1	Garnish midg., R., late 1947-48 Deluxe	7.75
7	285646	Weatherseal, out. R.	.45	15	288995X1	Garnish midg., L., late 1947-48 Deluxe	7.75
7	285645	Weatherseal, out. L.	.45	15	286340X2	Garnish midg., R., 1947 Regal	8.75
8	284924	Glass lift channel, R.	2.25	15	286341X2	Garnish midg., L., 1947 Regal	8.75
8	284925	Glass lift channel, L.	2.25	15	288994X2	Garnish midg., R., late 1947-48 Regal	8.75
9	284842	Window regitr., R., 1947-48	3.50	15	288995X2	Garnish midg., L., late 1947-48 Regal	8.75
9	284843	Window regitr., L., 1947-48	3.50	15	290580X5	Garnish midg., R., 1949	7.75
9	289790	Window regitr., R., 1949	4.00	15	290581X5	Garnish midg., L., 1949	7.75
9	289791	Window regitr., L., 1949	4.00				
10	284712	Regitr. handle, 1947	1.25				
10	288241X1	Regitr. handle, 1948	1.25				
10	288241X2	Regitr. handle, 1949	1.25				
11	286366P	Handle escutcheon, 1947-48 Deluxe	.75				
11	289290	Handle escutcheon, 1948 Deluxe, late	.25				
11	284211	Handle escutcheon, 1947-48 Regal	1.00				
11	289291X2	Handle escutcheon, 1949 Deluxe	.25				
11	283487W	Handle escutcheon, 1949 Regal	.35				
12	284584	Vent frame & glass, R., 1947 Deluxe	5.60				
12	284585	Vent frame & glass, L., 1947 Deluxe	5.60				
12	288196	Vent frame & glass, R., late 1947-48 Deluxe	5.60				
12	288197	Vent frame & glass, L., late 1947-48 Deluxe	5.60				
12	290350	Vent frame & glass, R., 1949 Deluxe	5.60				
12	290351	Vent frame & glass, L., 1949 Deluxe	5.60				
12	285778	Vent frame & glass, R., early 1947 Regal	6.45				
12	285779	Vent frame & glass, L., early 1947 Regal	6.45				
12	288862	Vent frame & glass, R., 1947-48 Regal	6.45				
12	288863	Vent frame & glass, L., 1947-48 Regal	6.45				
12	290352	Vent frame & glass, R., 1949 Regal	6.45				



### BODY SHEET METAL CONVERTIBLES

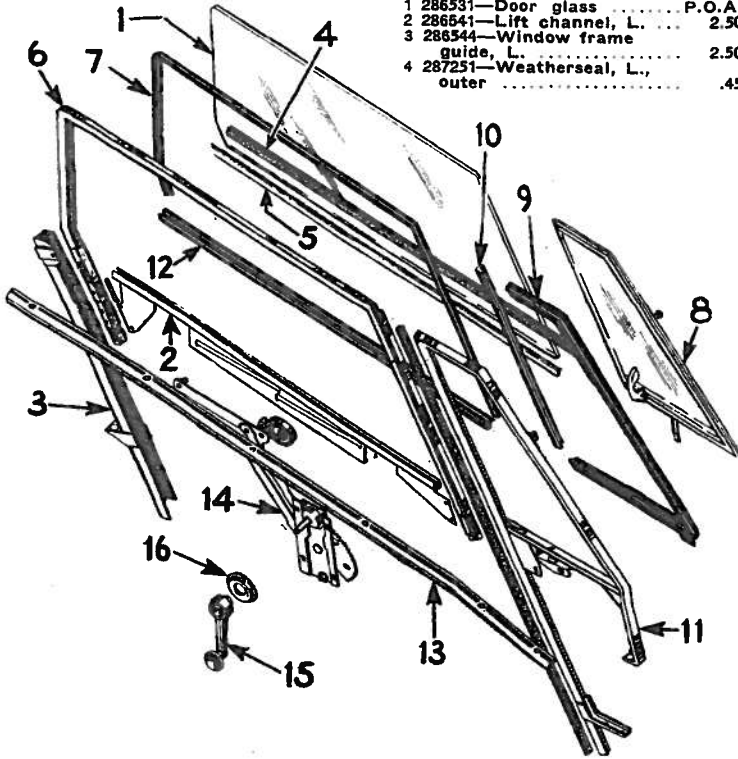
Item	Part No.	Description	Price
1	609773	Cowli top panel, 1947-48	31.00
1	610601	Cowli top panel, 1949	30.00
2	284812	Trunk lid	14.50
3	609776	Cowli panel, R.	14.50
3	609777	Cowli panel, L.	31.00
4	289074	Rear quar. panel, R.	31.00
4	289075	Rear quar. panel, L.	24.50
5	609771	Whl. house panel, R.	24.50
5	609772	Whl. house panel, L.	4.25
6	286840	Sill panel, R., 1947-48	4.25
6	286841	Sill panel, L., 1947-48	4.25
6	289174	Sill panel, R., 1949	4.25
6	289175	Sill panel, L., 1949	1.25
7	286218	Sill panel Filler, R.	1.25
7	286219	Sill panel Filler, L.	1.75
8	287959	Trunk sill	



# STUDEBAKER 1947 to 1949 BODY PARTS

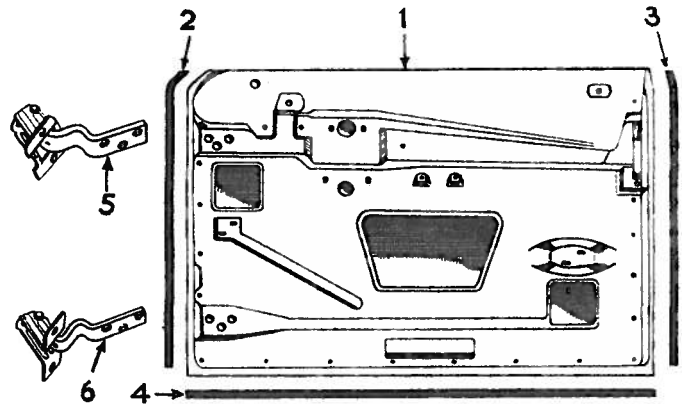
## Champion Models. ALL BODY STYLES

Item Part No.	Description	Price
1 286531	Door glass	P.O.A.
2 286541	Lift channel, L.	2.50
3 286544	Window frame guide, L.	2.50
4 287251	Weatherseal, L., outer	.45



### DOOR WINDOW CONVERTIBLES

Item Part No.	Description	Price	Item Part No.	Description	Price
5 287551	Weatherseal, L., inner	.45	10 286528	Vent weatherstrip, rear	.45
6 288871	Window frame, L.	24.00	11 286502	Vent frame, R.	19.00
7 1770X54 1/4	Door glass cushion	.55	11 290788	Vent frame, R., late 1949	P.O.A.
8 286508	Right ventilator, R. front, late 1949	17.25	11 286503	Vent frame, L.	19.00
8 290694	Right ventilator, late 1949	17.25	11 290789	Vent frame, L., late 1949	P.O.A.
8 286509	Left ventilator, R. front, late 1949	17.25	12 1848X29 3/4	Lift channel weatherseal	.35
8 290695	Left ventilator, late 1949	17.25	13 286267	Garnish midg., L.	2.85
9 286526	Vent weatherstrip, R. front, late 1949	2.50	14 286749	Window regitr., 1947-48	3.50
9 290736	Vent. weatherstrip, R. front, late 1949	P.O.A.	14 289795	Window regitr., L., 1949	4.00
9 286527	Vent weatherstrip, L. front, late 1949	2.50	15 288997	Regitr. handle, 1949	1.60
9 290737	Vent weatherstrip, L. front, late 1949	P.O.A.	15 288996	Regitr. handle, 1949	1.60
			16 288210	Escutcheon, 1947-48	.50
			16 290136	Escutcheon, 1949	.35



### BODY DOORS CONVERTIBLES

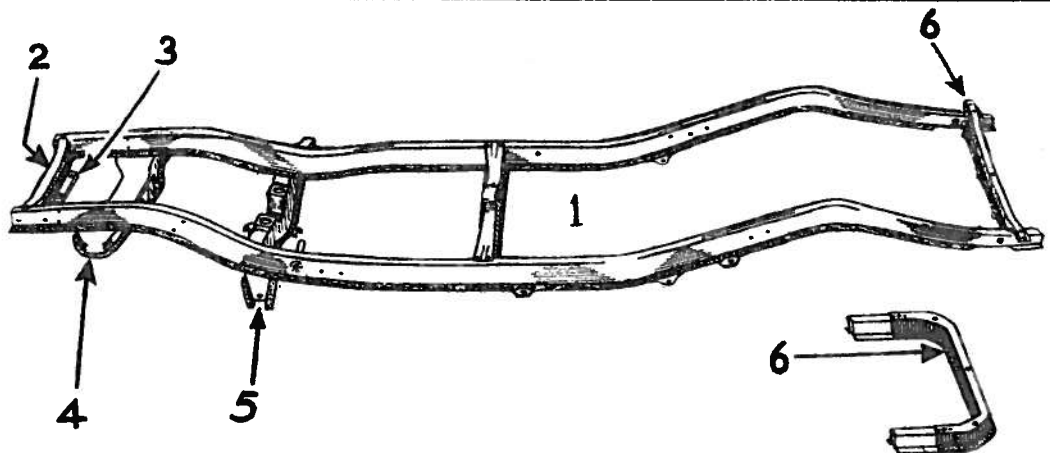
Item Part No.	Description	Price	Item Part No.	Description	Price
1 290416	Door, stripped, R., late 1949	43.00	3 289208	Weatherstrip, L., rear	.75
1 290936	Door, stripped, R., late 1949	P.O.A.	4 1846X47 1/4	Weatherstrip, lower	.75
1 290417	Door, stripped, L., late 1949	43.00	5 284513	Hinge, upper L.	2.75
1 290937	Door, stripped, L., late 1949	P.O.A.	6 284517	Hinge, lower L.	1.75
2 1754X36	Weatherstrip, front	.60			

### DOOR LOCK CONVERTIBLES

Item Part No.	Description	Price	Item Part No.	Description	Price
1 287187	Lock, L., 1947-48	2.75	4 289336	Lock cyl. & keys, 1949	1.25
1 289309	Lock, L., 1949	3.25	5 286650	Inside handle, 1947-48	1.25
2 265130	Lock striker, L., 1947-48	.55	6 284687	Remote control, L., 1947-48	.65
2 289159	Lock striker, L., 1949	.55	6 289293	Remote control, L., 1949	.65
3 284455	Outside handle, 1949	2.25	7 288210	Inside handle escutcheon, 1947-48	.50
4 287498	Lock cyl. & keys (Yale), 1947-48	1.25	7 290136	Inside handle escutcheon, 1949	.35
4 287499	Lock cyl. & keys (Hurd), 1947	1.75			

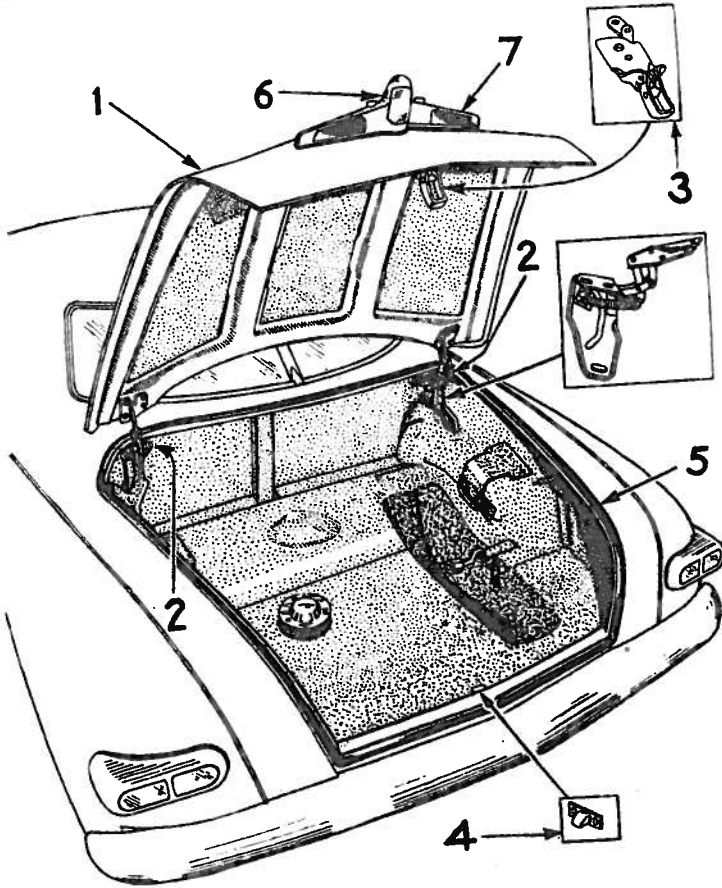
### CHASSIS FRAME

Item Part No.	Description	Price
1 523289	Assembly, except convertible, 1947-48	74.50
1 521913	Assembly, convertibles, 1947-48	90.75
1 525276	Assembly, except convertibles, 1949	77.00
1 525283	Assembly, convertibles, 1949	93.25
2 519238	Radiator support cross member	3.80
3 519236	Front motor support	.75
4 518499	Front cross member	13.50
5 519384	Engine rear cross member	8.75
6 520262	Gas tank cross member, 1947-48	5.50
6 525269	Gas tank cross member, 1949	7.50



# BODY PARTS 1947 to 1949 STUDEBAKER

## Champion Models. ALL BODY STYLES



### TRUNK LID

Item Part No.	Description	Price	Item Part No.	Description	Price
1 284812	Lid, sedans, & convertible	30.00	4 286198	Lock striker, 1947-48	.35
1 285610	Lid, coupes	29.50	4 286837	Lock striker, 1949	.25
284540	Lid, sedans & convertible	3.50	5 285595	Weather strip	3.50
2 284541	Hinge, L., sedans & convertible	3.50	6 285443	Lock base & housing (Yale)	11.00
2 285496	Hinge, R., coupes	3.50	6 287036	Lock base & housing (Hurd) 1947	11.00
2 285497	Hinge, L., coupes	3.50	7 285444	Lock & handle (Yale)	4.95
3 285154	Lock, 1947-48	1.55	7 287037	Lock & housing (Hurd) 1947	4.95
3 290272	Lock, 1949	1.55			

### BACK WINDOW

Not illustrated  
2 & 4 DOOR SEDANS & 3 PASS. COUPE

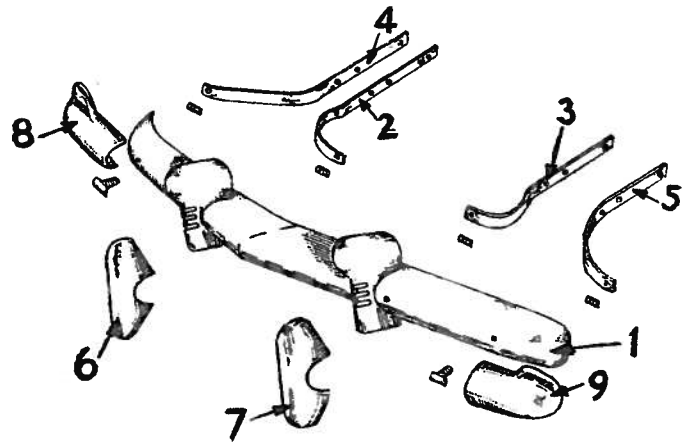
Item Part No.	Description	Price	Item Part No.	Description	Price
1 284116	Glass, R., sedans... P.O.A.		2 285635	Moul. & weather-strip, L. center, DeLuxe	3.95
1 284117	Glass, L., sedans... P.O.A.		2 285632	Moul. & weather-strip, R. side, DeLuxe	3.45
1 285596	Glass, R., 3 pass. coupe P.O.A.		2 285633	Moul. & weather-strip, L. side, DeLuxe	3.45
1 285596	Glass, L., 3 pass. coupe P.O.A.		2 285592	Moul. & weather-strip, R. center, Regal	4.00
2 284501	Moul. & weather-strip, DeLuxe sedans	3.60	2 285593	Moul. & weather-strip, L. center, Regal	4.00
2 284502	Moul. & weather-strip, Regal sedans	3.70	2 285590	Moul. & weather-strip, R. side, Regal	3.55
2 285636	Moul. & weather-strip, DeLuxe 3 pass. coupe	3.45	2 285591	Moul. & weather-strip, L. side, Regal	3.55
2 285637	Moul. & weather-strip, Regal 3 pass. coupe	3.55	3 285245X	Center bar inner moul., specify color	.65
3 284620X	Center bar inner moul. sedans, specify color	.65	3 285334X	Right side bar inner moul., specify color	.65
3 285515X	Center bar inner moul., 3 pass coupe, specify color	.65	3 285335X	Left side bar inner moul., specify color	.65

### 5 PASSENGER COUPE

1 284951	Glass, right center	P.O.A.
1 284952	Glass, left center	P.O.A.
1 284973	Glass, right side	P.O.A.
1 284974	Glass, left side	P.O.A.
2 285634	Moul. & weather-strip, R. center, DeLuxe	3.95

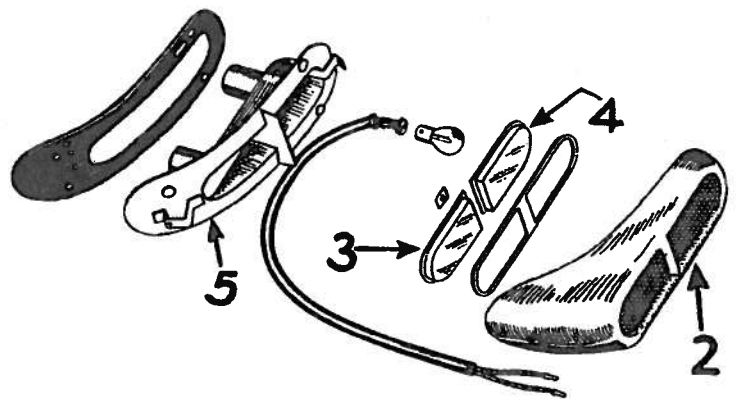
### CONVERTIBLES

1 287425	Glass	P.O.A.
2 287424	Window frame, inner	5.50
2 287423	Window frame, outer	5.50



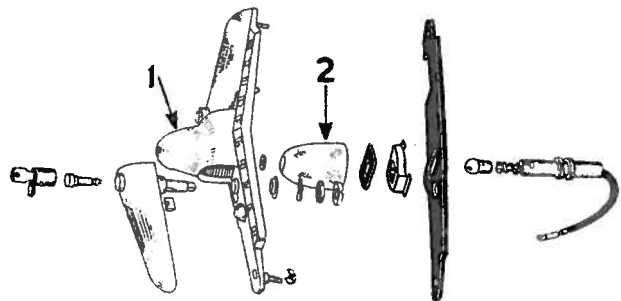
### REAR BUMPER

Item Part No.	Description	Price	Item Part No.	Description	Price
1 518300	Face bar, 1947	20.00	6 523242	Vertical bumper, 1948	4.50
1 523231	Face bar, 1948	15.75	6 524900	Vertical bumper, R., 1949	4.50
1 524855	Face bar, 1949	22.50	7 519030	Vertical bumper, L., 1947	6.00
2 518101	Brkt., R., in., 1947	1.10	7 524901	Vertical bumper, L., 1949	4.50
3 518101	Brkt., L., in., 1947	1.10	8 520421	Wing guard, R., 1947-48	7.50
3 523165	Brkt., L., in., 1948	1.10	9 520420	Wing guard, L., 1947-48	7.50
3 525365	Brkt., L., in., 1949	1.10			
5 518092	Brkt., L., out., 1947	1.10			
5 523167	Brkt., L., out., 1948	1.10			
5 525367	Brkt., L., out., 1949	1.35			
6 519029	Vertical bumper, R., 1947	6.00			



### TAIL AND STOP LIGHTS

Item Part No.	Description	Price	Item Part No.	Description	Price
1 285399	Assembly	6.50	4 285393	Lens, tail	.45
2 285398	Door	4.25	5 285387	Body	2.00
3 285394	Lens, stop	.45			

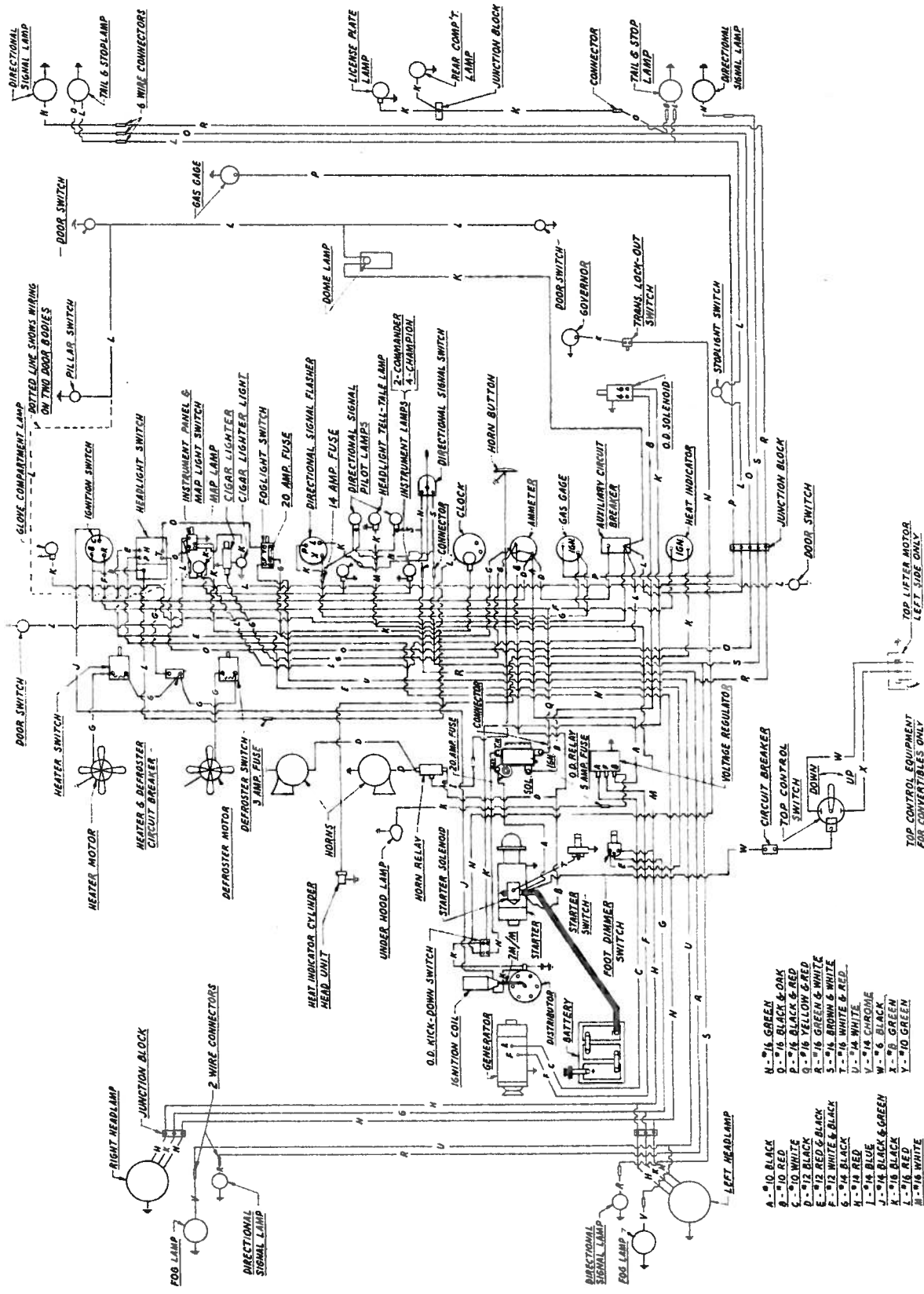


### LICENSE PLATE LAMP

Item Part No.	Description	Price
1 285443	Assembly (Yale)	11.00
1 287036	Assembly (Hurd), 1947	11.00
2 285439	Lens	.40

# STUDEBAKER 1947 to 1949 WIRING

## Champion Models. ALL BODY STYLES



1949-50 Wiring

TOP CONTROL EQUIPMENT FOR CONVERTIBLES ONLY  
TOP LIFTER MOTOR LEFT SIDE ONLY





# FLAT RATE 1947 to 1949 STUDEBAKER

## Champion Models. ALL BODY STYLES

Chilton Job No.	Chilton Labor Price	Chilton Job No.	Chilton Labor Price	Chilton Job No.	Chilton Labor Price	Chilton Job No.	Chilton Labor Price	Chilton Job No.	Chilton Labor Price	Chilton Job No.	Chilton Labor Price	Chilton Job No.	Chilton Labor Price	Chilton Job No.	Chilton Labor Price	Chilton Job No.	Chilton Labor Price		
<b>A</b>		<b>A-continued</b>		<b>B</b>		<b>B-continued</b>		<b>C-continued</b>		<b>D-continued</b>		<b>E-continued</b>		<b>E-continued</b>		<b>F-continued</b>		<b>G</b>	
1a	3.00	7	2.00	1	3.25	13	2.00	8	3.00	2	1.50	3	18.25	13	12.50	2	12.50	1	85.00
2	2.25	8	2.00	1a	4.25	14	2.00	9	18.25	3	18.25	4	18.25	14	110.00	3	15.75	2	28.00
3	14.25	9	4.50	2	12.50	15	1.00	10	9.50	4	10.00	5	10.00	15	100.00	4	17.25	3	17.25
4	14.25	10	3.00	3	15.25			11	10.50	6	8.00	6	8.00	18	8.00	5	8.00	5	8.00
4a		11	3.00	4				12	2.50	7	10.50	7	10.50	17	2.00	6	2.00	7	10.50
4b		12	5.00	5	4.00			13		7x	8.00	8	10.00	18	10.00	7	2.00	8	
4c	3.50	13	2.50	6	2.00			14	2.00	19	8.00	8	8.00	19	8.00	8	3.25	9	45.00
5	16.00	14		7	2.00			15	1.00	20	3.75	9	49.00			9	43.00	10	28.00
5a	3.00	18	1.00	8	3.00							9x	43.00			10		11	1.50
5b	7.50	16		9								9y	40.00			11		12	
5c	2.00	17	1.75	10								10	28.00			12		13	
5d	9.50	18	8.00	11	2.50							11				13		14	
6	30.00	20	4.00	12								12				14			
		20x	7.00																

### STEERING GEOMETRY

**CASTER:** 1 degree positive to 1/2 degree negative.

**CAMBER:** 1/2 degree plus or minus 1/4 degree.

**TOE-IN:** 1/16 to 1/8 inches.

**KING PIN INCLINATION:** 5 1/2 degrees.

#### ADJUSTMENT

CASTER and camber is controlled by means of shims back of upper control arm inner bracket. Adding shims to the rear bracket will decrease caster, camber may be reduced by adding shims back of both front and rear brackets.

**NOTE:** Adding shims behind the rear bracket to decrease caster, will also tend to decrease camber. This may be overcome by removing shims from the front bracket when adjusting caster only.

