

# TREMEC<sup>®</sup>

## TKX

### 5-Speed Rear-Wheel Drive Manual Transmission

### Parts List

PL\_TKX\_04.2021





# Table of Contents

---

<b>Section 1: Specifications</b>	
General Specification .....	4
Available Models .....	4
Lubrication Specifications.....	4
Fastener Tightening Specifications .....	4
Shimming Specifications .....	4
TKX 5-Speed Manual Transmission Disassembled View .....	5
Legend for TKX 5-Speed Manual Transmission Disassembled View .....	6
<b>Section 2: Front Bearing Retainer</b>	
Front Bearing Retainer Assembly View .....	7
Front Bearing Retainer Assembly Legend.....	8
<b>Section 3: Input Shaft Assembly</b>	
Input Shaft Assembly View.....	9
Input Shaft Assembly Legend .....	10
<b>Section 4: Main Shaft Assembly</b>	
Main Shaft Assembly View .....	11
Main Shaft Assembly Legend.....	12
<b>Section 5: Counter Shaft</b>	
Countershaft Assembly View .....	13
Countershaft Assembly Legend .....	14
<b>Section 6: 5<sup>th</sup> Speed Gear (Driven) Assembly</b>	
5 <sup>th</sup> Speed Gear (Driven) Assembly View .....	15
5 <sup>th</sup> Speed Gear (Driven) Assembly Legend .....	16
<b>Section 7: 5<sup>th</sup> Speed Gear Assembly</b>	
5 <sup>th</sup> Speed Gear Assembly View.....	17
5 <sup>th</sup> Speed Gear Assembly Legend.....	18
<b>Section 8: Reverse Gear and Reverse Idler Assembly</b>	
Reverse Gear and Reverse Idler Assembly View.....	19
Reverse Gear and Reverse Idler Assembly Legend.....	20
<b>Section 9: Shift Fork and Rail Assembly</b>	
Shift Fork and Rail Assembly View.....	21
Shift Fork and Rail Assembly Legend.....	22
<b>Section 10: 5<sup>th</sup> Gear / Reverse Shift Fork and Rail Assembly</b>	
5 <sup>th</sup> Gear / Reverse Shift Fork and Rail Assembly View .....	23
5 <sup>th</sup> Gear / Reverse Shift Fork and Rail Assembly Legend.....	24
<b>Section 11: Main Case Assembly</b>	
Main Case Assembly View .....	25
Main Case Assembly Legend.....	26
<b>Section 12: Intermediate Assembly</b>	
Intermediate Assembly View .....	27
Intermediate Assembly Legend.....	28
<b>Section 13: Extension Housing Assembly</b>	
Extension Housing Assembly View .....	29
Extension Housing Assembly Legend .....	30
<b>Section 14: Selector Rail Assembly</b>	
Selector Rail Assembly View.....	31
Selector Rail Assembly Legend.....	32
<b>Section 15: Shifter Assembly</b>	
Shifter Assembly View .....	33
Shifter Assembly Legend .....	34



## Section 1: Specifications

### General Specification

Forward Gears	5
Shifter Positions	3
Torque Capacity	Up to 600 lb-ft / 814 N-m
Max Rated RPM	8000
Overdrive	Single
Output Splines	31
Release Type	Mechanical
Speedo Output	Mechanical and Electronic
Dry Weight	99 lbs / 50 kg
Fluid Capacity	2.7 quart / 2.6 liter

### Available Models

Part Number	Style	Torque Rating	Input Spline	Gear Ratios					
				1 <sup>st</sup>	2 <sup>nd</sup>	3 <sup>rd</sup>	4 <sup>th</sup>	5 <sup>th</sup>	R
TCET18086	Ford	600 lb-ft	10	3.27	1.98	1.34	1.00	0.72	3.00
TCET18084	Ford	600 lb-ft	26	2.87	1.89	1.28	1.00	0.81	2.56
TCET17765	Ford	600 lb-ft	26	2.87	1.89	1.28	1.00	0.68	2.56
TCET18085	Ford	600 lb-ft	26	3.27	1.98	1.34	1.00	0.72	3.00
TCET18083	GM	600 lb-ft	26	3.27	1.98	1.34	1.00	0.72	3.00
TCET17722	GM	600 lb-ft	26	2.87	1.89	1.28	1.00	0.81	2.56
TCET17805	GM	600 lb-ft	26	2.87	1.89	1.28	1.00	0.68	2.56

### Lubrication Specifications

For all TKX 5-speed models, TREMEC recommends TREMEC High Performance Manual Transmission Fluid (HP-MTF™), Dexron-III, GM Synchronesh™, Mobil 1 Synthetic ATF, or Pennzoil® Synchronesh. Fluid capacity is 2.7 quart / 2.6 liter.



#### California Proposition 65 Warning

This product can expose you to chemicals, including 2-Ethoxyethanol, Methyl 1 Isobutyl Ketone, and Ethyl Acrylate which are known to the State of California to cause cancer, birth defects or other reproductive harm.

For more information, visit the California Office of Environmental Health Hazard Assessment website at: California proposition 65 (<https://www.p65warnings.ca.gov/>)

### Fastener Tightening Specifications

Bolt Torque (Dry Thread)			
Bolts	Description	Torque	
5/16-18	Bearing Retainer	12-16 lb-ft	16-18 N-m
M8 X 1.25	Extension Housing	24-30 lb-ft	32-40 N-m
1/2-14 NPTF Pipe Thread	Fill & Drain Plugs	15-25 lb-ft	20-33 N-m
9/16-18	Socket Head Pipe Plug	11-18 lb-ft	14-25 N-m
9/16-18	Reverse Lights	12-16 lb-ft	16-18 N-m
M6 X 1.0	Shifter	6-11 lb-ft	8-14 N-m
1/8-27 PTF	Breather Cap	11-16 lb-ft	14-18 N-m
M16 X 1.5	5 <sup>th</sup> and Reverse Selector Arm	25-40 lb-ft	33-54 N-m
1/4-20-UNC	Electronic Speedometer	4-6 lb-ft	5-8 N-m
1/4-20-UNC	Mechanical Speedometer	4-6 lb-ft	5-8 N-m
M20 X 1.5	Shift Lug Detent	25-35 lb-ft	33-47 N-m
M10 X 1.5	Reverse Inhibitor	15-25 lb-ft	20-33 N-m
M16 X 1.5	Neutral Sensing Switch	12-16 lb-ft	16-18 N-m
M6 X 1.0	Inspection Cover Bolts	5-6 lb-ft	6-8 N-m
1/2-20-UNF	Shift Rail Detents	15-25 lb-ft	20-33 N-m
M8 X 1.25	Reverse Idler	16-20 lb-ft	22-27 N-m

### Shimming Specifications

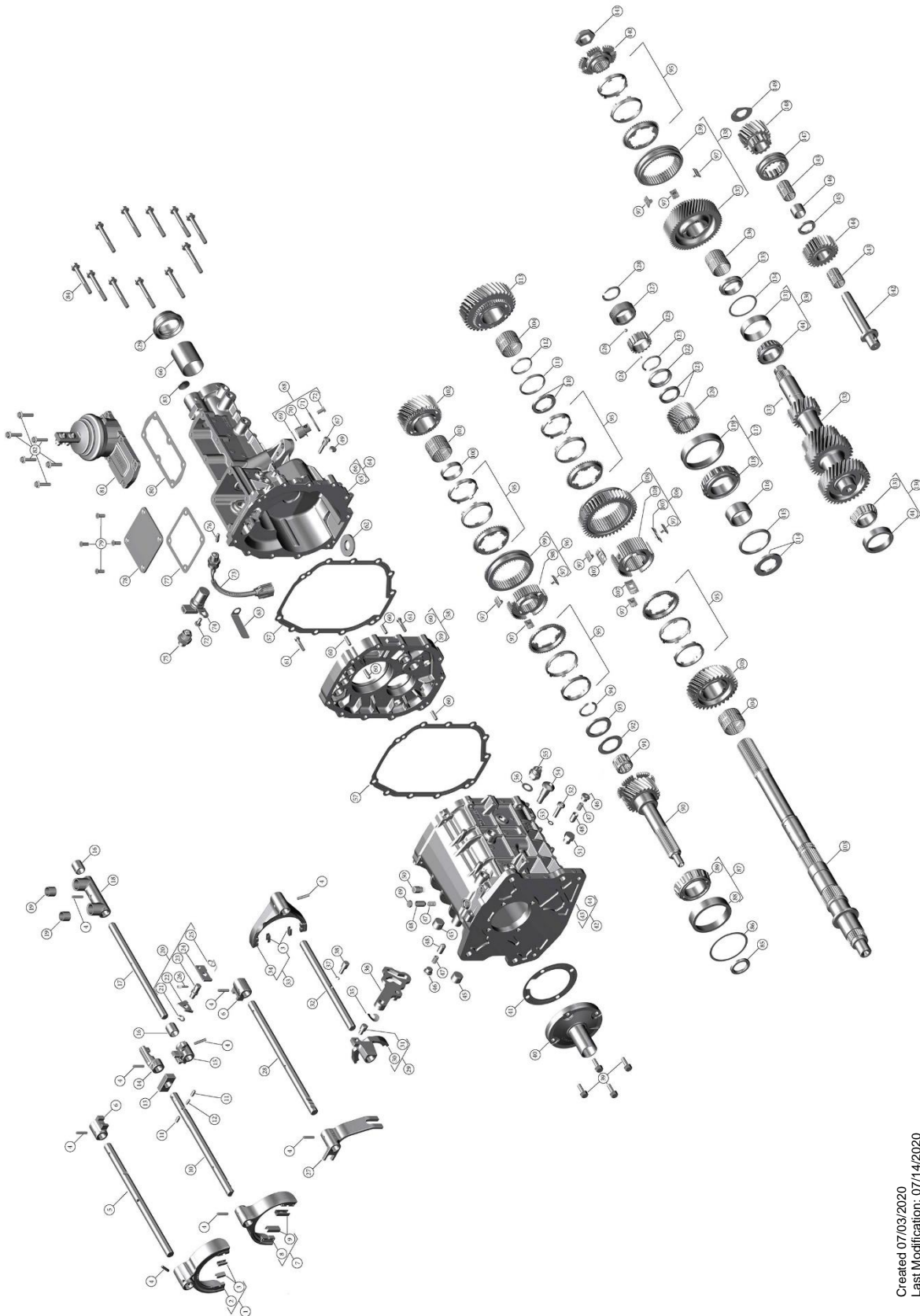
Description	Shim to Attain
Input Shaft / Main Shaft Shim	Endplay of 0.001 to 0.005 inch (0.0254 to 0.127 mm)
Counter Shaft Shim	Endplay of 0.001 to 0.005 inch (0.0254 to 0.127 mm)

Subject to design and/or appearance modifications that are production standards at the time of shipping.

Copyright © 2020 TREMEC. All Rights Reserved

# Section 1: Specifications

## TKX 5-Speed Manual Transmission Disassembled View



Created 07/03/2020  
Last Modification: 07/14/2020  
Revision: 0

# Section 1: Specifications

## Legend for TKX 5-Speed Manual Transmission Disassembled View

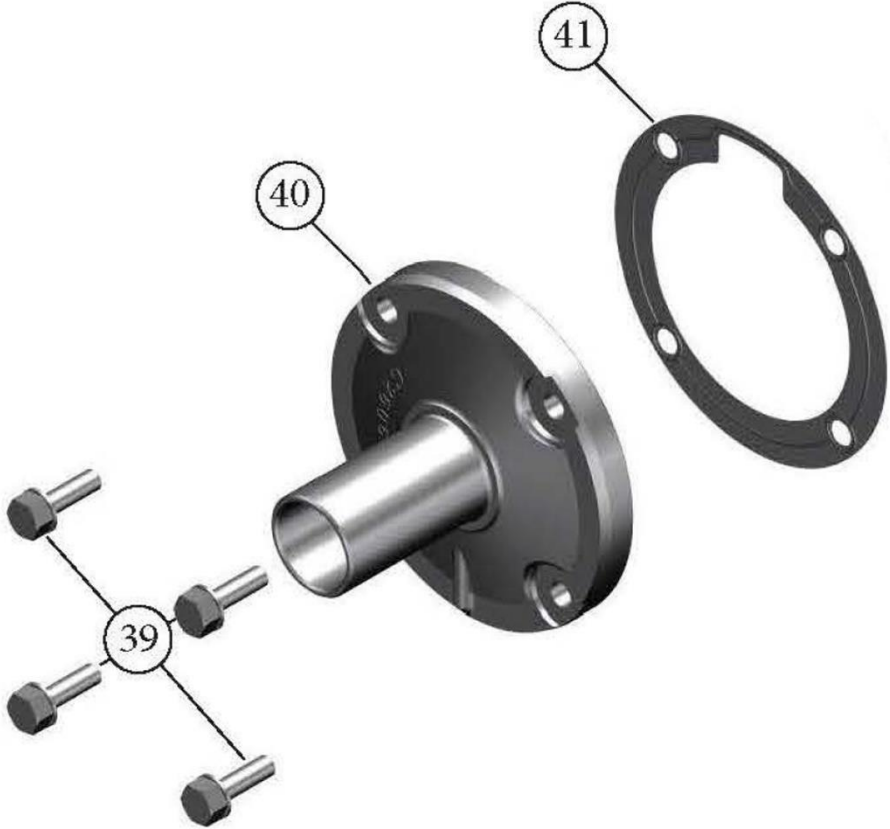
ITEM	QTY.	PART NAME	PART NUMBER
1	1	SHIFT FORK 1ST-2ND ASSY	TCEC17270
2	1	SHIFT FORK 1ST-2ND	TCHR17251
3	4	FORK INSERT	TCSA240
4	9	PIN SLOTTED SPRING	1000-043-016
5	1	SHIFT RAIL 1ST-2ND	TCSR17252
6	2	GATE 1ST-2ND & 5TH-REV	TCTP17247
7	1	SHIFT FORK 3RD-4TH ASSY	TCEC17271
8	1	SHIFT FORK 3RD-4TH	TCHR17250
9	2	FORK INSERT	1386-235-001
10	1	SHIFT RAIL 3RD-4TH	TCSR17815
11	2	PLUNGER TRANS. SHIFTER INTERLOCK	2604895
12	1	INTERLOCK PIN	2604832
13	1	INTERLOCK PLATE	TCTP17169
14	1	GATE 3RD-4TH	TCTP17584
15	1	SELECTOR ARM	TCTP17246
16	2	LINEAR BEARING	TUBA7952
17	1	SELECTOR RAIL	TCSR17579
18	1	SELECTOR SEAT	TCTP4257
19	2	BUSHING, SHIFTER LEVER SOCKET	2606246
20	1	INHIBITOR ASSY	TCEC17259
21	1	E-CUP	7238095
22	1	REVERSE INHIBITOR	7238515
23	1	INHIBITOR RAIL	TCSR17260
24	1	INHIBITOR PLATE	TCTP17261
25	1	REVERSE INHIBITOR SPRING	7238635
26	1	SET SCREW-INTERNAL HEX W/DOG PT.	6501092
27	1	LEVER - TRANS. REV GEAR SHIFT RELAY	TCL17248
28	1	SHIFT RAIL 5TH-REV	TCSR17249
29	1	REVERSE FORK ASSY	2606216
30	1	REVERSE FORK	2606215
31	1	REVERSE FORK PIN	2606297
32	1	SHIFT RAIL 5TH	TCSR17444
33	1	SHIFT FORK 5TH ASSY	TCEC17811
34	1	SHIFT FORK 5TH	TCHR17810
35	1	CLIP, WAVE "E"	2603965
36	1	LEVER - TRANS. REVERSE-O.D.	2605948
37	1	CIRCLIP	TCMS17460
38	1	BLOCKER PIN	TCTP17461
39	4	BOLT, FRONT BEARING RETAINER	2606968
41	1	GASKET - CASE-RETAINER	TCSJ17420
44	2	BEARING CUP	BEA0483F
45	2	SOCKET HEAD PIPE PLUG	1300-052-007
46	2	WASER HEAD MACHINE SCREW	TCTA1304
47	3	SPRING DETENT	TCEK17486
48	3	BALL POPPET	TCEP8862
49	2	COVER SEAL	SEA0232F
50	1	VENT ASSEMBLY	TCMS13804
51	1	CAP-HEX FLANGE BOLT	TUTN7205
52	1	SOCKET HEAD SCREW	BOL1534F
53	1	O-RING	TCSJ16907
54	1	PIN, PIVOT-REVERSE	2604720
55	1	REVERSE SWITCH	2606249
56	1	GASKET BACK UP LAMP SWITCH	2605032
57	2	SEALING GASKET	TCSJ17415
58	1	INTERMEDIATE PLATE ASSY	TCEP17266
59	1	INTERMEDIATE PLATE	TCPA17266
60	4	DOWEL PIN	141199
61	2	SOCKET HEAD CAP SCREW	TCTN17465
62	1	MAGNET	2602631
63	1	IDENTIFICATION TAG	2604737
66	1	BUSHING EXTENSION	1386-127-003
67	1	RETAINER PIN	1386-183-003
68	1	PLUG KIT	30-360-1X
69	1	O-RING	30-469-1D
70	1	SPEEDOMETER PLUG	30-39-1
71	1	RETAINER	30-390-1
72	2	SCREW	30-449-1

ITEM	QTY.	PART NAME	PART NAME
73	1	NEUTRAL SWITCH	1300-140-004
75	1	INTERLOCK PIN	TUTN13627
76	1	PLUNGER	TCEP17594
77	1	GASKET - SELECTOR COVER	TCSJ17417
78	1	COVER PLATE	TCTP17564
79	4	SOCKET CSK SCREW	BOL0844F
80	1	GASKET - SHIFTER	TCSJ17418
81	1	SHIFTER TURRET ASSY	TCEC17468
82	6	CONTROL TOWER BOLT	TCTN0620
83	1	PLUG REAR EXTENSION	12F00015
84	11	BOLT HEX. FLANGE HEAD	TCTN17406
85	1	SEAL ASSY TRANS. INPUT SHAFT OIL	2603865
86	A/R	SHIMS-INPUT SHAFT FRONT BRG	TCMS17595
		TCMS17596, TCMS17597, TCMS17598, TCMS17599, TCMS17600, TCMS17601, TCMS17602, TCMS17603, TCMS17604, TCMS18069	
87	1	ASSY, BEARING-INPUT SHAFT TO CASE	2606064
88	1	BEARING CUP-INPUT SHAFT TO CASE	2606065
89	1	BEARING, CONE	2605686
91	1	NEEDLE ROLLER BEARING	TCSA11182
92	1	NEEDLE ROLLER THRUST	TCSA11183
93	1	THRUST WASHER	TCSA11214
94	1	SNAP RING	1386-139-001
95	5	DOUBLE CONE SYSTEM 67.5 mm HYBRID	TUES13926
96	1	SYNCH ASSY 3RD-4TH	TCEJ30944
97	9	STRUT (1ST-2ND, 3RD-4TH & 5TH)	TUN55793
98	1	HUB SYNCHRO 3RD-4TH	TUM60509
99	1	SLEEVE SYNC. 3RD-4TH	TCLL1338
100	1	SPACER BEARING 3RD	TCP17266
101	1	NEEDLE BEARING	BEA0399F
102	1	3RD SPEED GEAR ASSY	TCEE17808
104	2	NEEDLE BEARING	BEA0491F
105	1	2ND SPEED GEAR ASSY	TCEE17783
106	1	SYNCH. ASSY 1ST-2ND	TCEJ17458
107	3	SYNCHRO INSERT 1ST-2ND	TCSN10957
108	1	HUB SYNCHRO 1ST-2ND	TCEM17456
109	1	1ST-2ND AND REV GEAR SLIDING	TCLL17466
110	2	SPLIT WASHER 1ST	TCSA17809
111	1	ENCLOSURE RING - SPLIT WASHER 1ST	TCSA17812
112	1	SPACER BEARING 1ST	TCP17855
114	2	SPLIT WASHER - TAPER BEARING	TCSA17851
115	1	ENCLOSURE RING - TAPER BEARING SPLIT	TCSA17852
116	1	BUSHING - TAPER BEARING	TCP17853
117	1	ASSY, BEARING-MAIN SHAFT TO CASE	2605706
118	1	BEARING, CONE	2605707
119	1	BEARING CUP- MAIN SHAFT TO CASE	2605701
121	2	SPLIT WASHER 5TH	SPA0128F
122	1	ENCLOSURE RING - SPLIT WASHER 5TH	TCSA17857
123	1	SNAP RING	TCMS0660
128	1	RING - RETAINING	2604502
129	1	OIL SEAL	TCSJ1277
130	2	TAPERED ROLLER BEARING ASSY	BEA0480F
131	2	BEARING, CONE	BEA0481F
133	1	CARBON STEEL BALL	TCEK1252
134	A/R	SHIMS-COUNTER SHAFT FRONT BRG	MST1940F
		MST1941F, MST1942F, MST1943F, MST1944F, MST1945F, MST1946F	
		MST1947F, MST1948F	
135	1	THRUST WASHER	TCSA17448
136	1	5TH GEAR NEEDLE BEARING	TCSA17459
139	1	SLEEVE 5TH	TCLL17446
140	1	CLUTCH 5TH	TCSN17443
141	1	NUT	TDTU1685
142	1	REVERSE SHAFT	TCSB17257
143	2	REV. NEEDLE ROLLER BEARING	TCSA17289
144	1	REVERSE GEAR	TCEK17256
145	1	WASHER TRANS. REV. GEAR THRUST	2605795
146	1	SPACER BEARING REV.	TCP17410
147	1	SLEEVE-TRANS. REVERSE.	2605800
149	1	WASHER-TRANS REV. IDLER GEAR THRUST	2603895

VARIABLE PARTS				Transmission Assembly					
				TCET18086 FORD	TCET18083 GM	TCET18084 FORD	TCET17722 GM	TCET17765 FORD	TCET17805 GM
ITEM	QTY.	PART NAME	PART NUMBER						
40	1	BEARING RETAINER INPUT SHAFT	2606243	TCR80131	2606243	TCR80131	2606243	TCR80131	2606243
42	1	CASE TRANSMISSION ASSY	TCEP17746	TCEP17746	TCEP17746	TCEP17746	TCEP17746	TCEP17746	TCEP17746
43	1	CASE TRANSMISSION	TCCA17746	TCCA17746	TCCA17746	TCCA17746	TCCA17746	TCCA17746	TCCA17746
64	1	EXTENSION HOUSING ASSY	TCEP17750	TCEP17746	TCEP17750	TCEP17750	TCEP17750	TCEP17750	TCEP17750
65	1	EXTENSION HOUSING	TCEX17750	TCEX17746	TCEX17750	TCEX17750	TCEX17750	TCEX17750	TCEX17750
74	1	SPEED SENSOR	4400-640-019	TNSW1137	4400-640-019	TNSW1137	4400-640-019	TNSW1137	4400-640-019
90	1	INPUT SHAFT	TCFM18027	TCFM17956	TCFM17409	TCFM17802	TCFM17409	TCFM17802	TCFM18025
103	1	MAIN SHAFT	TCFP18019	TCFP1849	TCFP18019	TCFP1849	TCFP18019	TCFP1849	TCFP18019
113	1	1ST SPEED GEAR ASSY	TCEI18030	TCEI18030	TCEI17774	TCEI17774	TCEI17774	TCEI17774	TCEI18030
120	1	GEAR 5TH SPEED DRIVEN	TCEK17801	TCEK17801	TCEK18018	TCEK18018	TCEK17801	TCEK17801	TCEK17801
124	1	CARBON STEEL BALL	10I000008	TCEK1252	10I000008	TCEK1252	10I000008	TCEK1252	10I000008
125	1	ROTOR, SPEEDOMETER	TCEV1276	TCEV5065	TCEV1276	TCEV5065	TCEV1276	TCEV5065	TCEV1276
126	1	CARBON STEEL BALL	10I000008	10I000008	10I000008	10I000008	10I000008	10I000008	10I000008
127	1	GEAR - SPEEDOMETER DRIVE	2601215	TCEV4259	2601215	TCEV4259	2601215	TCEV4259	TCEV4259
132	1	COUNTER SHAFT	TCCF17952	TCCF17952	TCCF17768	TCCF17768	TCCF17768	TCCF17768	TCCF17952
137	1	5TH SPEED GEAR ASSY	TCEE17806	TCEE17806	TCEE17724	TCEE17724	TCEE17806	TCEE17806	TCEE17806
138	1	SYNCH. ASSY 5TH	TCEK17807	TCEK17807	TCEK17726	TCEK17726	TCEK17807	TCEK17807	TCEK17807
148	1	REVERSE IDLE GEAR	TCEK18029	TCEK18029	TCEK17255	TCEK17255	TCEK17255	TCEK17255	TCEK18029

**Section 2: Front Bearing Retainer Assembly**

**Front Bearing Retainer Assembly View**





## Section 2: Front Bearing Retainer Assembly

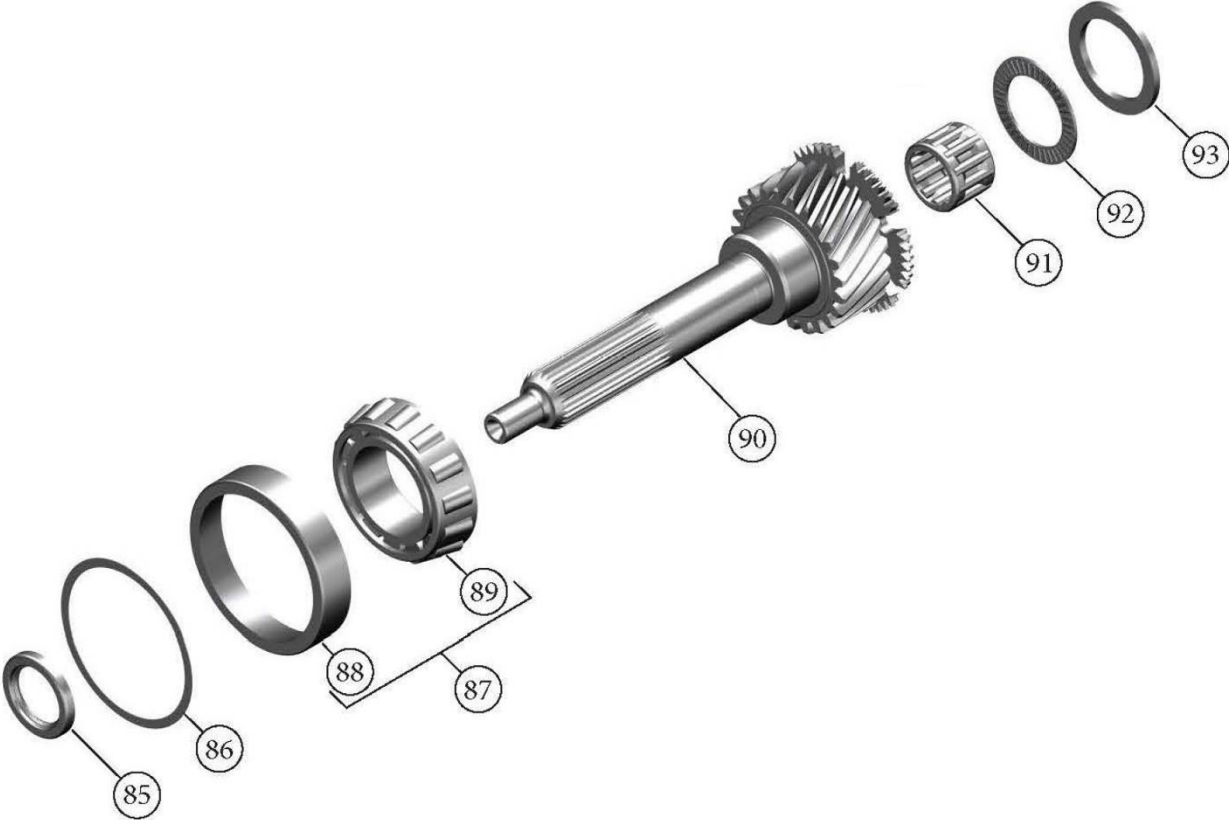
---

### Front Bearing Retainer Assembly Legend

ITEM	QTY	PART NAME	PART NUMBER
39	1	BOLT, FRONT BEARING RETAINER	2603968
40	1	BEARING RETAINER INPUT SHAFT	SEE VARIABLE PARTS
41	1	GASKET - CASE-RETAINER	TCSJ17420

# Section 3: Input Shaft Assembly

## Input Shaft Assembly View



## Section 3: Input Shaft Assembly

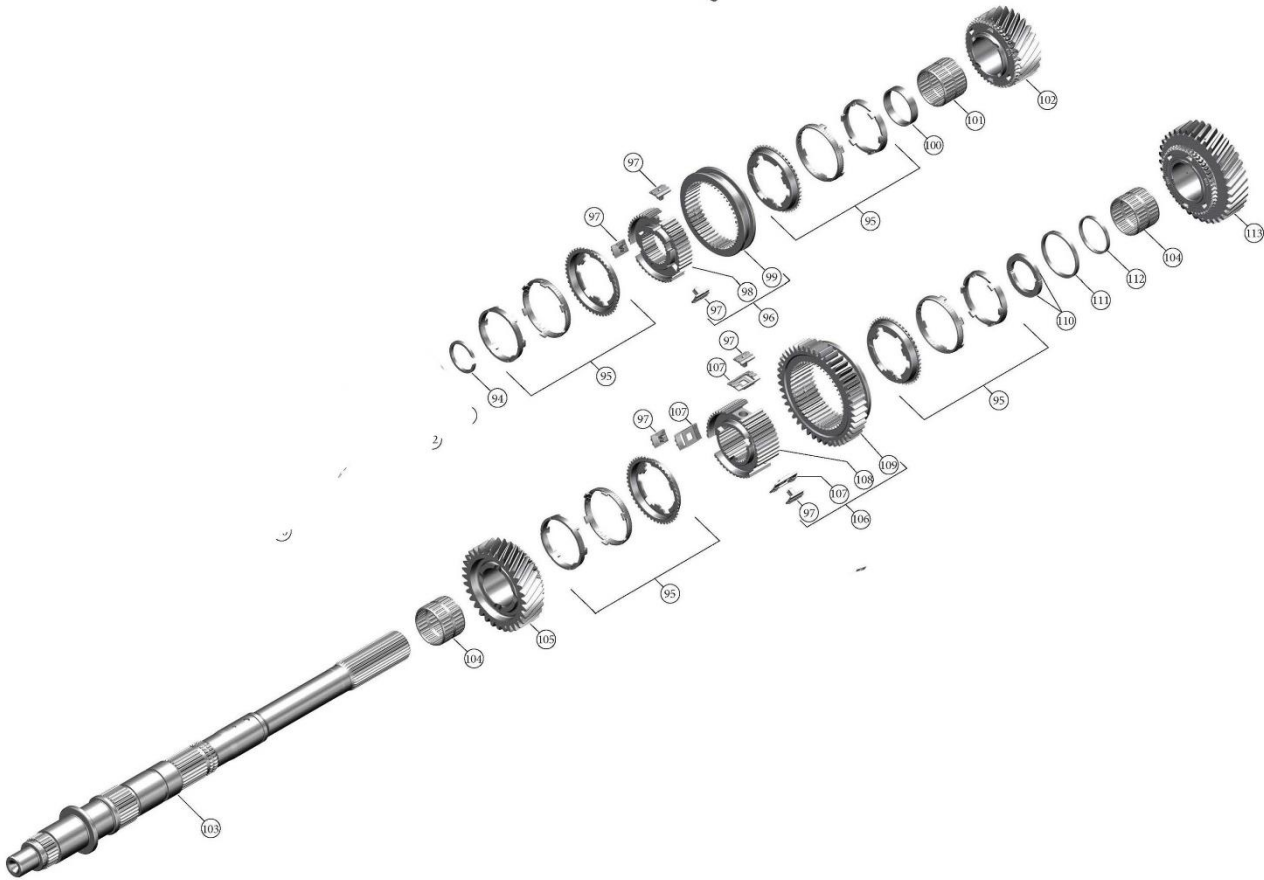
---

### Input Shaft Assembly Legend

ITEM	QTY	PART NAME	PART NUMBER
85	1	SEAL ASSY TRANS. INPUT SHAFT OIL	2603865
86	A/R	SHIMS-INPUT SHAFT FRONT BRG TCMS17595, TCMS17596,TCMS17597,TCMS17598,TCMS17599,TCMS17600, TCMS17601,TCMS17602, TCMS17603, TCMS17604,TCMS18069	Selective
87	1	ASSY, BEARING-INPUT SHAFT TO CASE	2606064
88	1	BEARING CUP-INPUT SHAFT TO CASE	NSS
89	1	BEARING, CONE	NSS
90	1	INPUT SHAFT	SEE VARIABLE PARTS
91	1	NEEDLE ROLLER BEARING	TCBA11182
92	1	NEEDLE ROLLER THRUST	TCBA11183
93	1	THRUST WASHER	TCRA11214

# Section 4: Main Shaft Assembly

## Main Shaft Assembly View



## Section 4: Main Shaft Assembly

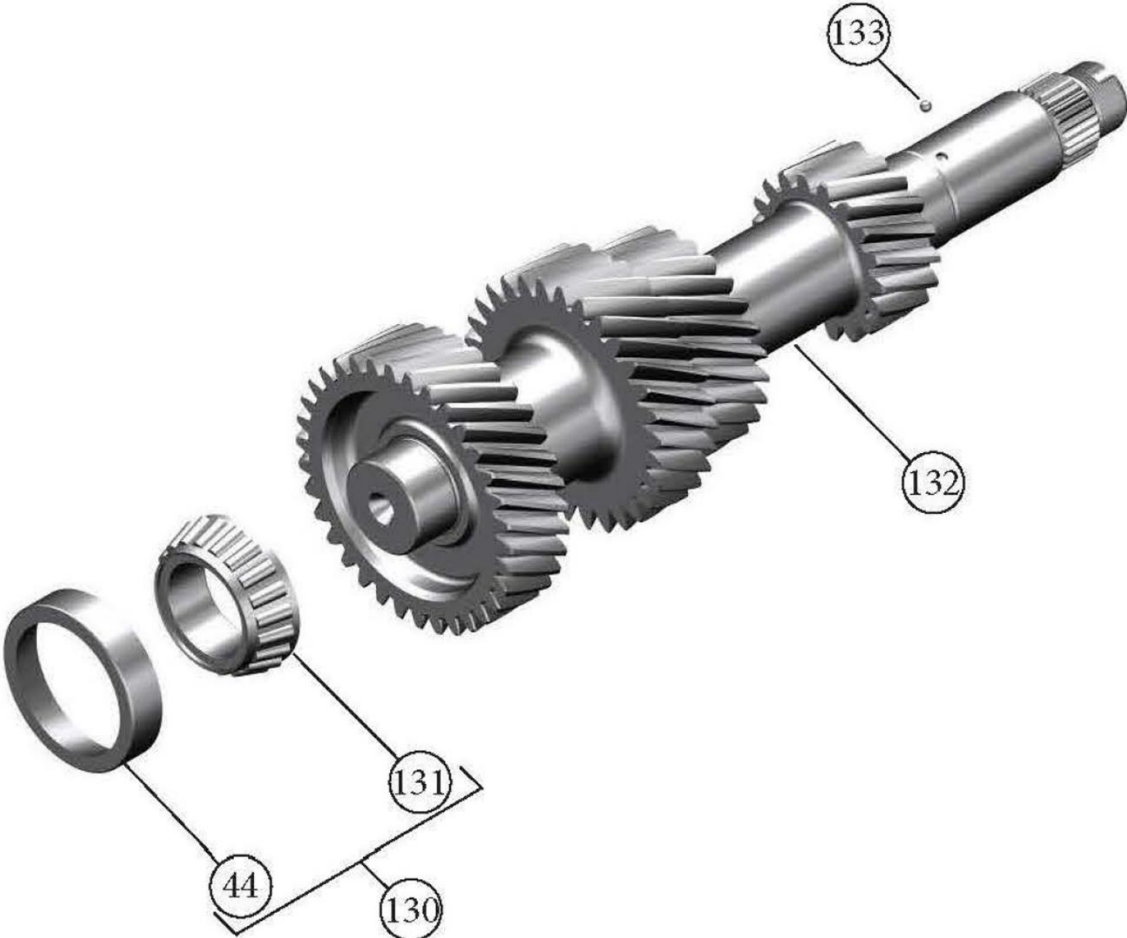
---

### Main Shaft Assembly Legend

ITEM	QTY	PART NAME	PART NUMBER
93	1	THRUST WASHER	TCRA11214
94	1	SNAP RING	1386-139-001
95	5	DOUBLE CONE SYSTEM 67.5 mm HYBRID	TUES13926
96	1	SYNCH ASSY 3RD-4TH	TCES10944
97	9	SYNCH ASSY 3RD-4 <sup>TH</sup>	TCES10944
98	1	HUB SYNCHRO 3RD-4 <sup>TH</sup>	TUMZ6059
99	1	SLEEVE SYNC. 3RD- 4TH	TCCL11338
100	1	SPACER BEARING 3 <sup>RD</sup>	TCSP17856
101	1	NEEDLE BEARING	BEA0398F
102	1	3RD SPEED GEAR ASSY	TCEE17808
103	1	MAIN SHAFT	SEE VARIABLE PARTS
104	2	NEEDLE BEARING	BEA0491F
105	1	2ND SPEED GEAR ASSY	TCEE17783
106	1	SYNCH. ASSY 1ST-2ND	TCES17458
107	1	SYNCHRO INSERT 1ST-2 <sup>ND</sup>	TCNS10957
108	1	HUB SYNCHRO 1ST-2 <sup>ND</sup>	TCMZ17456
109	1	1ST-2ND AND REV GEAR SLIDING	TCCL17466
110	2	SPLIT WASHER 1 <sup>ST</sup>	TCRA17809
111	1	ENCLOSURE RING - SPLIT WASHER 1 <sup>ST</sup>	TCRA17812
112	1	SPACER BEARING 1 <sup>ST</sup>	TCSP17855
113	1	1ST SPEED GEAR ASSY	SEE VARIABLE PARTS

# Section 5: Countershaft Assembly

## Countershaft Assembly View



## Section 5: Countershaft Assembly

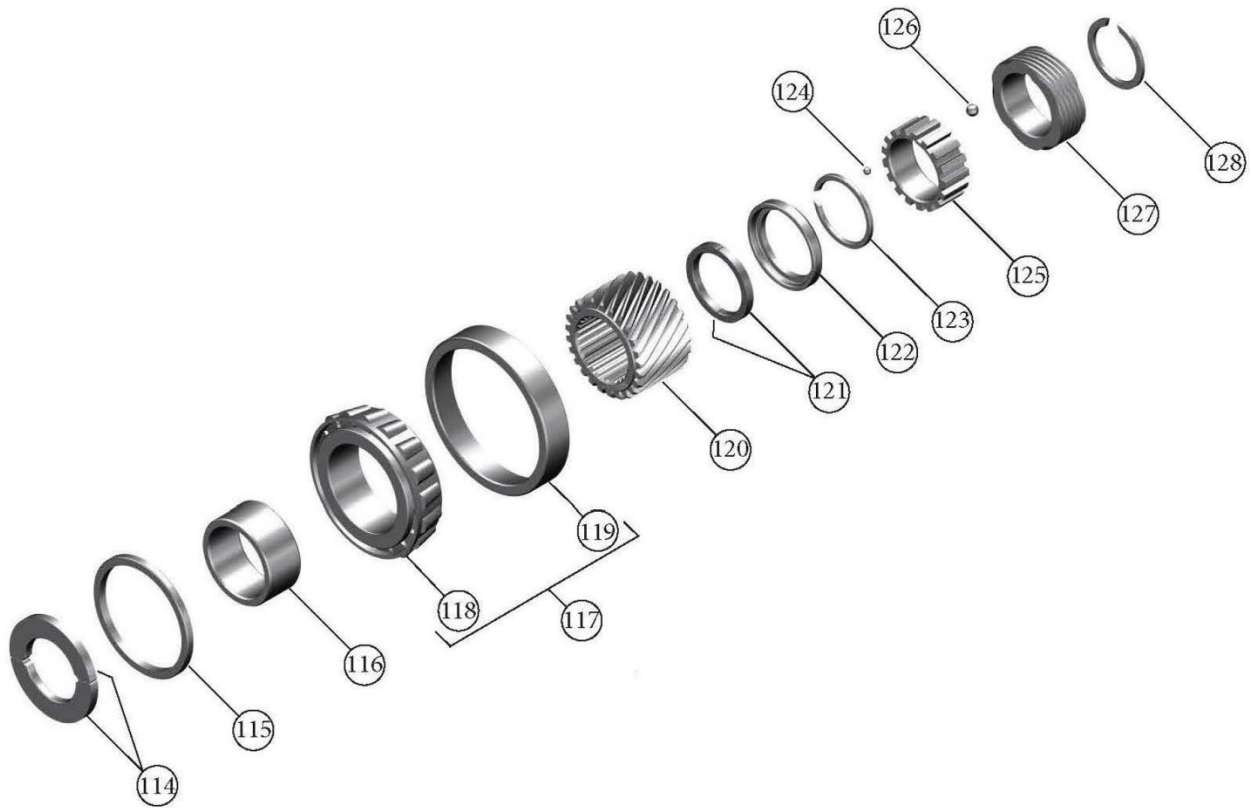
---

### Countershaft Assembly Legend

ITEM	QTY	PART NAME	PART NUMBER
44	2	BEARING CUP	NSS
130	2	TAPERED ROLLER BEARING ASSY	BEA0480F
131	2	BEARING, CONE	NSS
132	1	COUNTER SHAFT	SEE VARIABLE PARTS
133	1	CARBON STEEL BALL	TCER1252

## Section 6: 5<sup>th</sup> Speed Gear (Driven) Assembly

### 5<sup>th</sup> Speed Gear (Driven) Assembly View





## Section 6: 5<sup>th</sup> Speed Gear (Driven) Assembly

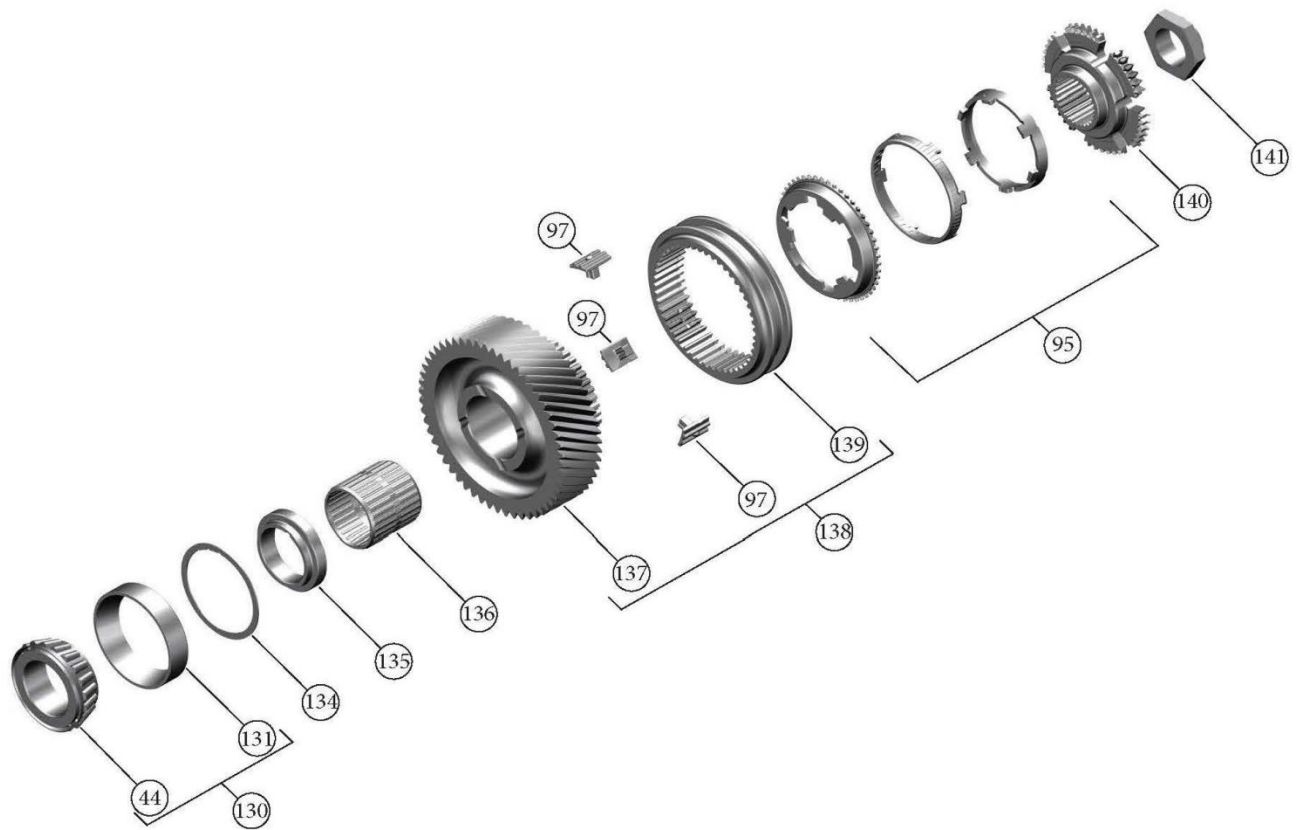
---

### 5<sup>th</sup> Speed Gear (Driven) Assembly Legend

ITEM	QTY	PART NAME	PART NUMBER
114	2	SPLIT WASHER - TAPER BEARING	TCRA17851
115	1	ENCLOSURE RING - TAPER BEARING SPLIT	TCRA17852
116	1	BUSHING - TAPER BEARING	TCSP17853
117	1	ASSY, BEARING-MAIN SHAFT TO CASE	2605700
118	1	BEARING, CONE	NSS
119	1	BEARING CUP- MAIN SHAFT TO CASE	NSS
120	1	GEAR 5TH SPEED DRIVEN	SEE VARIABLE PARTS
121	2	SPLIT WASHER 5 <sup>TH</sup>	SPA0128F
122	1	ENCLOSURE RING - SPLIT WASHER 5 <sup>TH</sup>	TCRA17857
123	1	SNAP RING	TCMS0660
124	1	CARBON STEEL BALL	SEE VARIABLE PARTS
125	1	ROTOR, SPEEDOMETER	SEE VARIABLE PARTS
126	1	CARBON STEEL BALL	SEE VARIABLE PARTS
127	1	GEAR - SPEEDOMETER DRIVE	SEE VARIABLE PARTS
128	1	RING - RETAINING	2604502

## Section 7: 5<sup>th</sup> Speed Gear Assembly

### 5<sup>th</sup> Speed Gear Assembly View



## Section 7: 5<sup>th</sup> Speed Gear Assembly

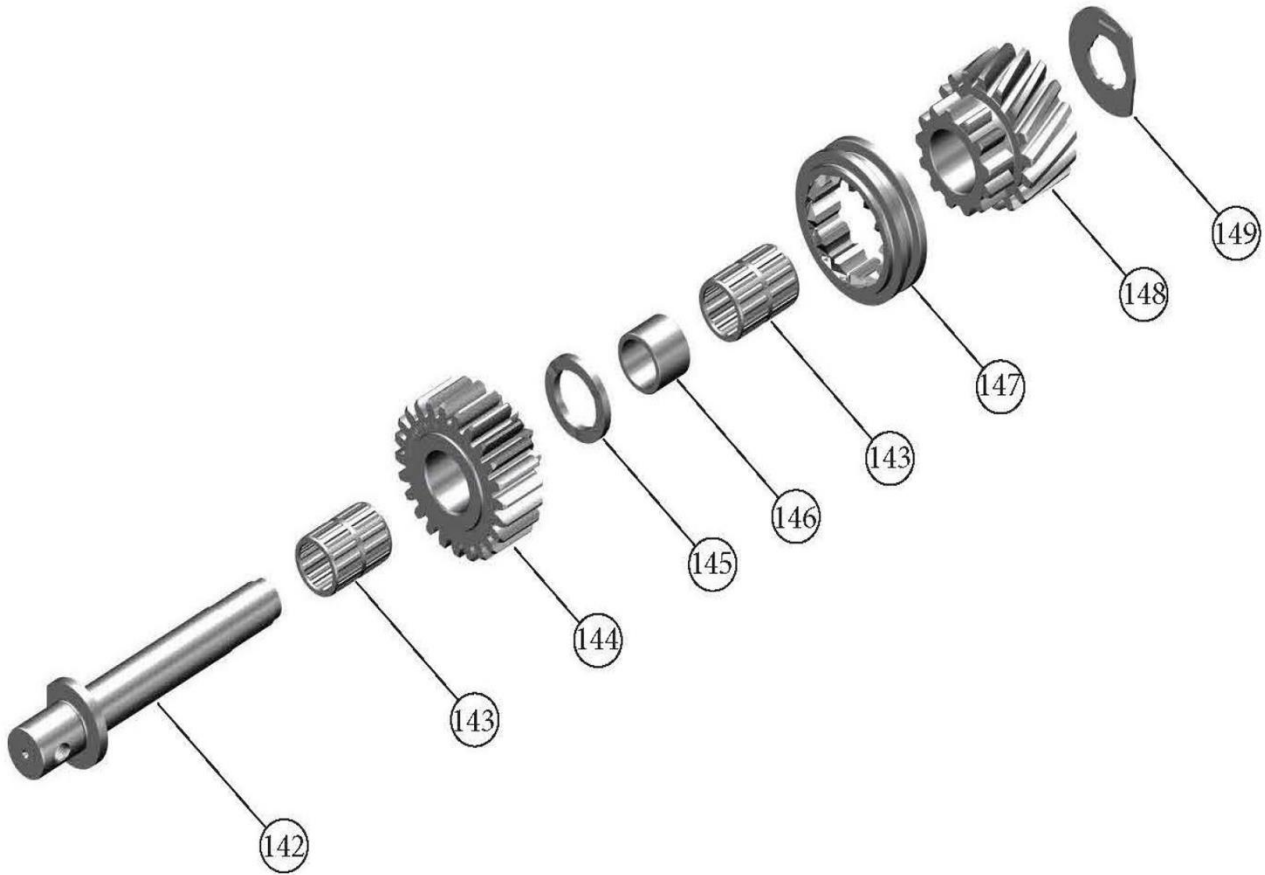
---

### 5<sup>th</sup> Speed Gear Assembly Legend

ITEM	QTY	PART NAME	PART NUMBER
44	2	SOCKET HEAD PIPE PLUG	1300-052-007
95	5	DOUBLE CONE SYSTEM 67.5 mm HYBRID	TUES13926
97	9	STRUT (1ST-2ND, 3RD-4TH & 5TH)	TUNS5793
130	2	TAPERED ROLLER BEARING ASSY	BEA0480F
131	2	BEARING, CONE	BEA0481F
134	A/R	SHIMS-COUNTER SHAFT FRONT BRG MST1941F, MST1942F, MST1943F, MST1944F, MST1945F, MST1946F, MST1947F, MST1948F	MST1940F
135	1	THRUST WASHER	TCRA17448
136	1	5TH GEAR NEEDLE BEARING	TCBA17459
137	1	5TH SPEED GEAR ASSY	SEE VARIABLE PARTS
138	1	COUNTER SHAFT	SEE VARIABLE PARTS
139	1	SLEEVE 5 <sup>TH</sup>	TCCL17446
140	1	CLUTCH 5TH	TCCN17443
141	1	NUT	TDTU1685

## Section 8: Reverse Gear and Reverse Idler Assembly

### Reverse Gear and Reverse Idler Assembly View



## Section 8: Reverse Gear and Reverse Idler Assembly

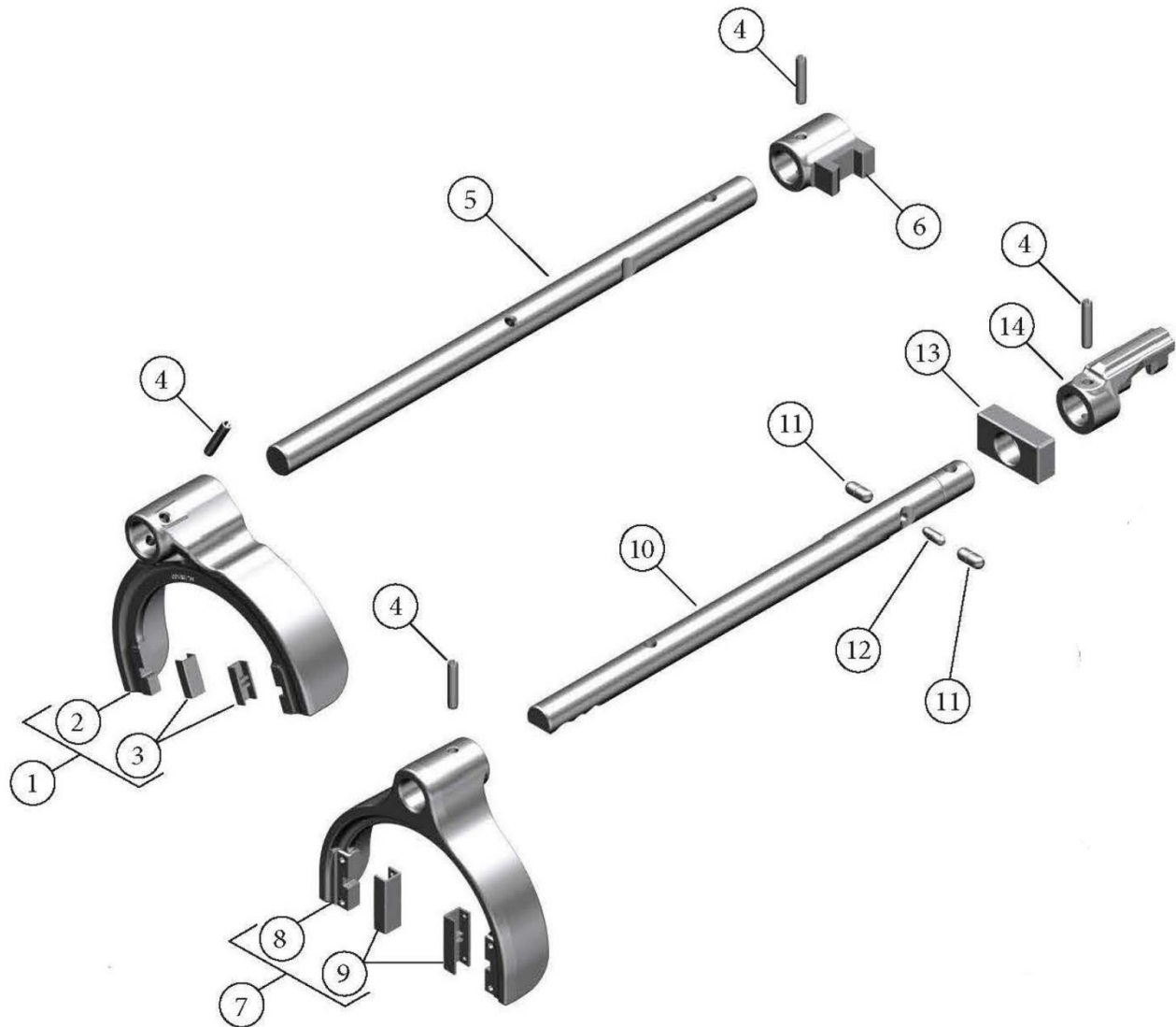
---

### Reverse Gear and Reverse Idler Assembly Legend

ITEM	QTY	PART NAME	PART NUMBER
142	1	REVERSE SHAFT	TCBR17257
143	2	REV. NEEDLE ROLLER BEARING	TCBA17269
144	1	REVERSE GEAR	TCEN17256
145	1	WASHER TRANS REV. GEAR THRUST	2605795
146	1	SPACER BEARING REV.	TCSP17410
147	1	SLEEVE-TRANS. REVERSE.	2605800
148	1	REVERSE IDLE GEAR	SEE VARIABLE PARTS
149	1	WASHER-TRANS REV. IDLER GEAR THRUST	2603695

## Section 9: Shift Fork and Rail Assembly

### Shift Fork and Rail Assembly View



## Section 9: Shift Fork and Rail Assembly

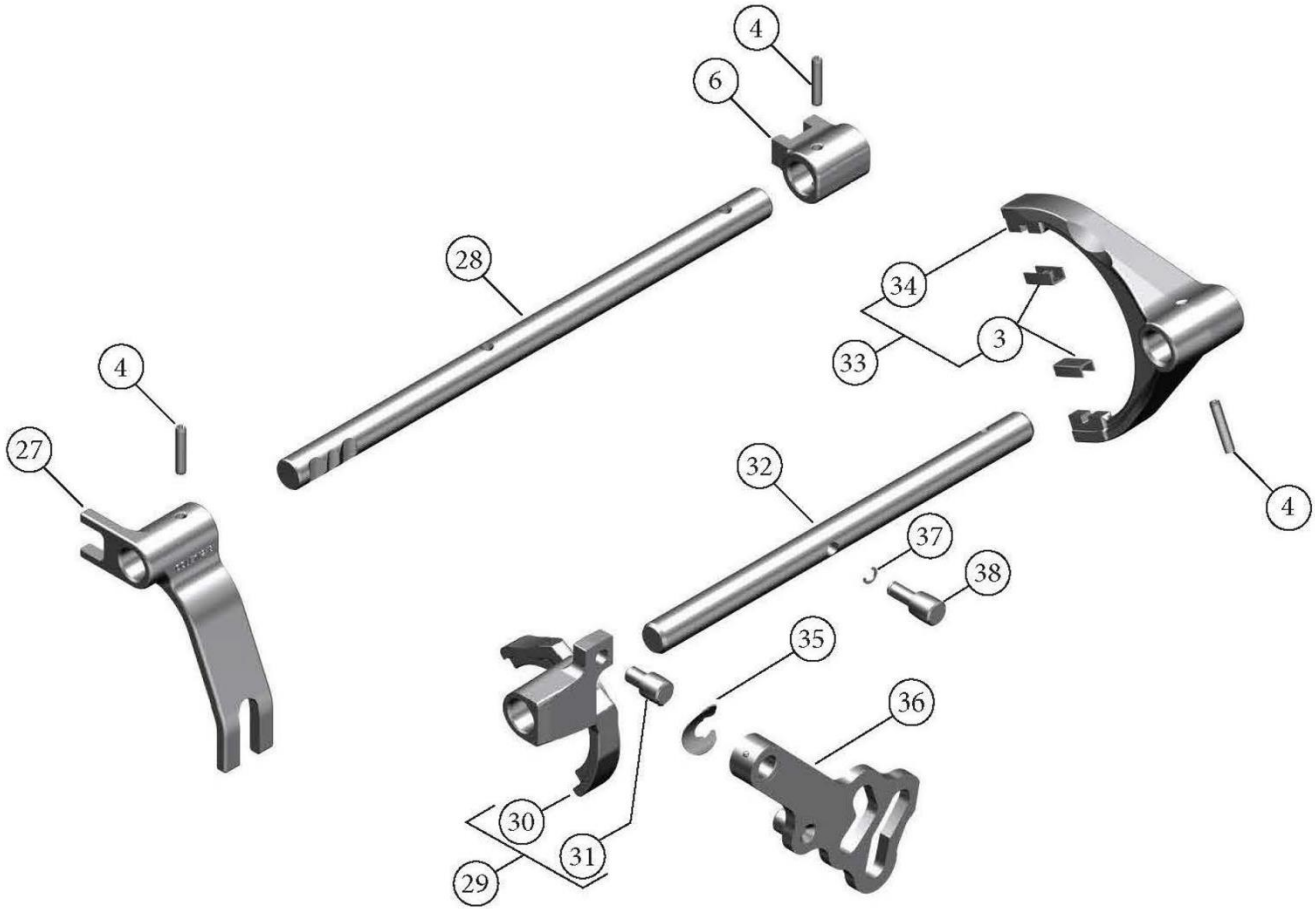
---

### Shift Fork and Rail Assembly Legend

ITEM	QTY	PART NAME	PART NUMBER
1	1	SHIFT FORK 1ST-2ND ASSY	TCEC17270
2	1	SHIFT FORK 1ST-2ND	TCHR17251
3	4	FORK INSERT	TCNS4240
4	9	PIN SLOTTED SPRING	1000-043-016
5	1	SHIFT RAIL 1ST-2 <sup>ND</sup>	TCBR17252
6	2	GATE 1ST-2ND & 5TH-REV	TCTP17247
7	1	SHIFT FORK 3RD-4TH ASSY	TCEC17271
8	1	SHIFT FORK 3RD-4 <sup>TH</sup>	TCHR17250
9	2	FORK INSERT	1386-235-001
10	1	SHIFT RAIL 3RD-4 <sup>TH</sup>	TCBR17815
11	2	PLUNGER TRANS. SHIFTER INTERLOCK	2604895
12	1	INTERLOCK PIN	2604832
13	1	INTERLOCK PLATE	TCPT17263
14	1	GATE 3RD-4 <sup>TH</sup>	TCTP17584

## Section 10: 5<sup>th</sup> / Reverse Shift Fork and Rail Assembly

### 5<sup>th</sup> Gear / Reverse Shift Fork and Rail Assembly View





## Section 10: 5<sup>th</sup> / Reverse Shift Fork and Rail Assembly

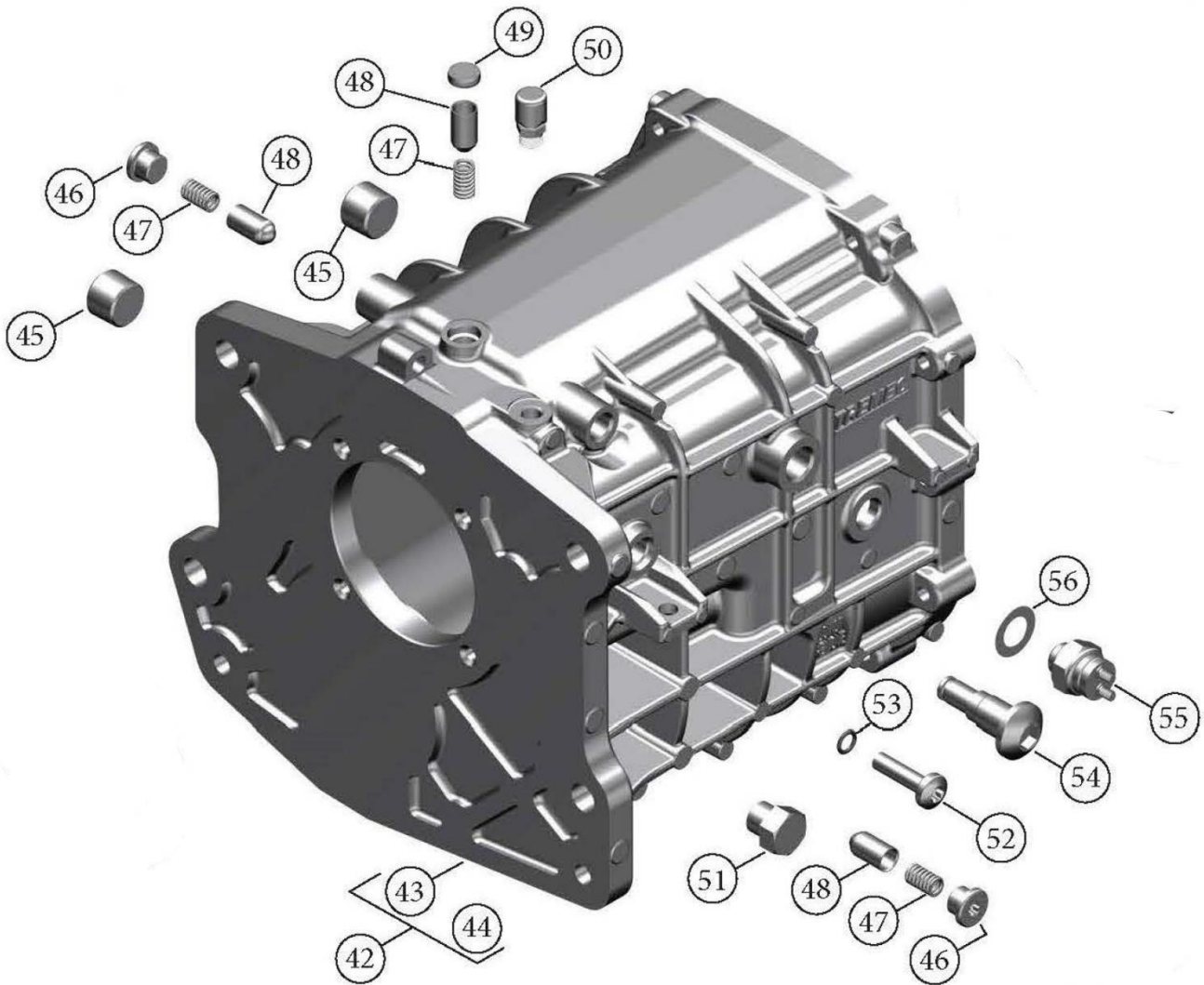
---

### 5<sup>th</sup> Gear / Reverse Shift Fork and Rail Assembly Legend

ITEM	QTY	PART NAME	PART NUMBER
4	9	PIN SLOTTED SPRING	1000-043-016
6	2	GATE 1ST-2ND & 5TH-REV	TCTP17247
27	1	LEVER - TRANS. REV GEAR SHIFT RELAY	TCLE17248
28	1	SHIFT RAIL 5TH-REV	TCBR17249
29	1	REVERSE FORK ASSY	2606216
30	1	REVERSE FORK	NSS
31	1	REVERSE FORK PIN	NSS
32	1	SHIFT RAIL 5 <sup>TH</sup>	TCBR17444
33	1	SHIFT FORK 5TH ASSY	TCEC17811
34	1	SHIFT FORK 5 <sup>TH</sup>	NSS
35	1	CLIP, WAVE "E"	2603965
36	1	LEVER - TRANS. REVERSE-O.D.	2605948
37	1	CIRCLIP	TCMS17460
38	1	BLOCKER PIN	TCPE17461

## Section 11: Main Case Assembly

### Main Case Assembly View



## Section 12: Intermediate Assembly

### Main Case Assembly Legend

ITEM	QTY	PART NAME	PART NUMBER
42	1	CASE TRANSMISSION ASSY	SEE VARIABLE PART
43	1	CASE TRANSMISSION	SEE VARIABLE PARTS
44	2	BEARING CUP	BEA0483F
45	2	SOCKET HEAD PIPE PLUG	1300-052-007
46	2	WAFER HEAD MACHINE SCREW	TCTA1304
47	3	SPRING DETENT	TCRE17486
48	3	BALL POPPET	TCPE8862
49	2	COVER SEAL	SEA0232F
50	1	VENT ASSEMBLY	TCMS13804
51	1	CAP-HEX FLANGE BOLT	TUTN7205
52	1	SOCKET HEAD SCREW	BOL3534F
53	1	O-RING	TCSJ16927
54	1	PIN, PIVOT-REVERSE	2604720
55	1	REVERSE SWITCH	2606249
56	1	GASKET BACK UP LAMP SWITCH	2605032

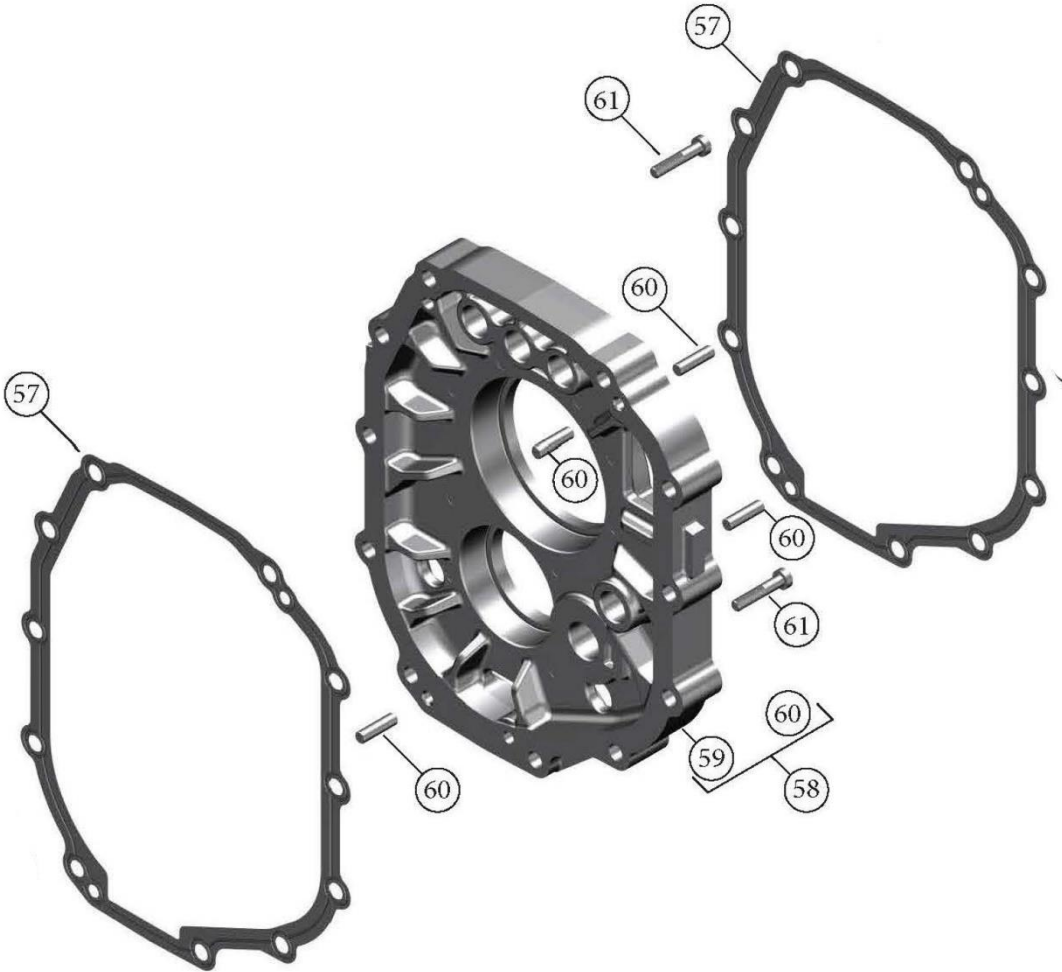
VARIABLE PARTS			Transmission Assembly						
			TCET18086 FORD	TCET18083 GM	TCET18084 FORD	TCET17722 GM	TCET17765 FORD	TCET17805 GM	TCET18085 FORD
ITEM	QTY	PART NAME	PART NUMBER						
40	1	BEARING RETAINER INPUT SHAFT	2606243	TCRB0131	2606243	TCRB0131	2606243	TCRB0131	2606243
42	1	CASE TRANSMISSION ASSY	TCEP17746	TCEP17264	TCEP17746	TCEP17264	TCEP17746	TCEP17264	TCEP17746
43	1	CASE TRANSMISSION	TCCA17746	TCCA17264	TCCA17746	TCCA17264	TCCA17746	TCCA17264	TCCA17746
64	1	EXTENSION HOUSING ASSY	TCEP17750	TCEP17265	TCEP17750	TCEP17265	TCEP17750	TCEP17265	TCEP17750
65	1	EXTENSION HOUSING	TCEX17750	TCEX17265	TCEX17750	TCEX17265	TCEX17750	TCEX17265	TCEX17750
74	1	SPEED SENSOR	4400-640- 019	TNSW1137	4400-640- 019	TNSW1137	4400-640- 019	TNSW1137	4400-640- 019
90	1	INPUT SHAFT	TCFM18027	TCFM17956	TCFM17409	TCFM17802	TCFM17409	TCFM17802	TCFM18025
103	1	MAIN SHAFT	TCFP18019	TCFP17849	TCFP18019	TCFP17849	TCFP18019	TCFP17849	TCFP18019
113	1	1ST SPEED GEAR ASSY	TCEE18030	TCEE18030	TCEE17774	TCEE17774	TCEE17774	TCEE17774	TCEE18030
120	1	GEAR 5TH SPEED DRIVEN	TCEN17801	TCEN17801	TCEN18018	TCEN18018	TCEN17801	TCEN17801	TCEN17801
124	1	CARBON STEEL BALL	10J000008	TCER1252	10J000008	TCER1252	10J000008	TCER1252	10J000008
125	1	ROTOR, SPEEDOMETER	TCEV1276	TCEV5065	TCEV1276	TCEV5065	TCEV1276	TCEV5065	TCEV1276
126	1	CARBON STEEL BALL	10J000008	10J000008	10J000008	10J000008	10J000008	10J000008	10J000008
127	1	GEAR - SPEEDOMETER DRIVE	TCEV4259	2601215	TCEV4259	2601215	TCEV4259	2601215	TCEV4259
132	1	COUNTER SHAFT	TCCF17952	TCCF17952	TCCF17768	TCCF17768	TCCF17768	TCCF17768	TCCF17952
137	1	5TH SPEED GEAR ASSY	TCEE17806	TCEE17806	TCEE17724	TCEE17724	TCEE17806	TCEE17806	TCEE17806
138	1	SYNCH. ASSY 5TH	TCES17807	TCES17807	TCES17726	TCES17726	TCES17807	TCES17807	TCES17807
148	1	REVERSE IDLE GEAR	TCEN18029	TCEN18029	TCEN17255	TCEN17255	TCEN17255	TCEN17255	TCEN18029

Copyright © 2020 TREMEC. All Rights Reserved.

Subject to design and/or appearance modifications that are production standards at the time of shipping

# Section 12: Intermediate Assembly

## Intermediate Assembly View



## Section 12: Intermediate Assembly

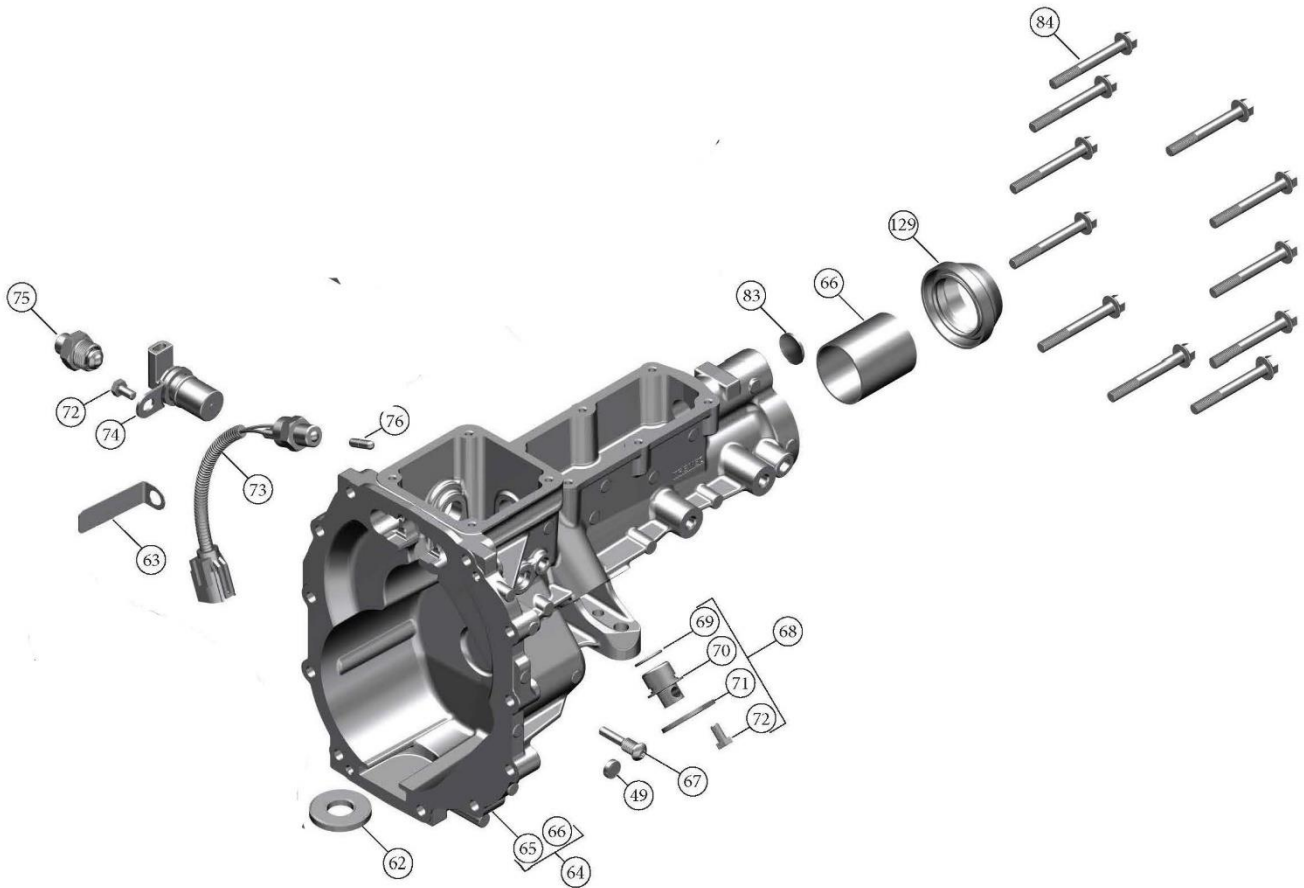
### Intermediate Assembly Legend

---

ITEM	QTY	PART NAME	PART NUMBER
57	1	SEALING GASKET	TCSJ17415
58	1	INTERMEDIATE PLATE ASSY	TCEP17266
59	1	INTERMEDIATE PLATE	NSS
60	4	DOWEL PIN	141199
61	2	SOCKET HEAD CAP SCREW	TCTN17465

# Section 13: Extension Housing Assembly

## Extension Housing Assembly View



## Section 13: Extension Housing Assembly

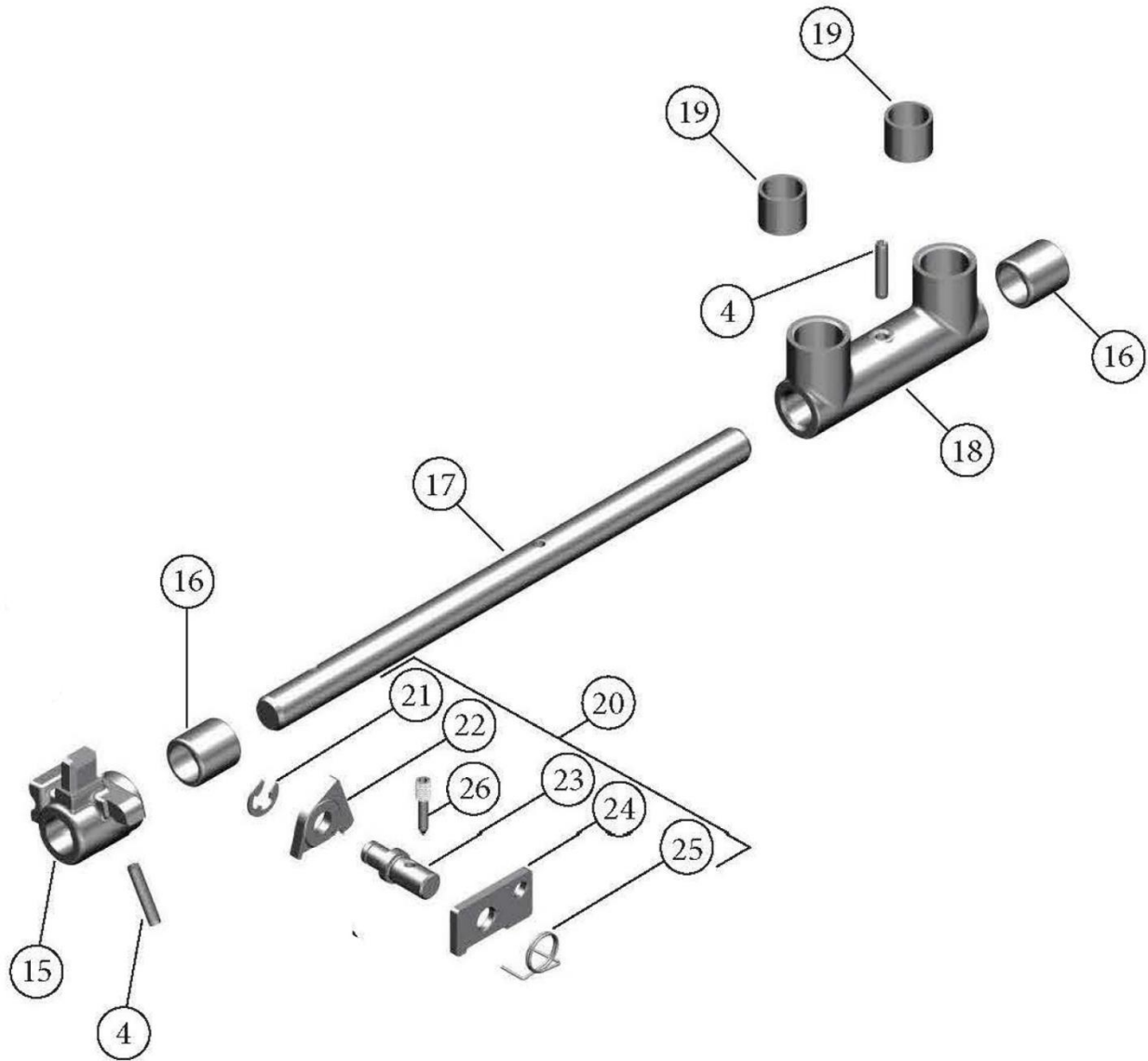
### Extension Housing Assembly Legend

---

ITEM	QTY	PART NAME	PART NUMBER
49	2	COVER SEAL	SEA0232F
62	1	MAGNET	2602631
63	1	IDENTIFICATION TAG	2604737
64	1	EXTENSION HOUSING ASSY	SEE VARIABLE PARTS
65	1	EXTENSION HOUSING	SEE VARIABLE PARTS
66	1	BUSHING EXTENSION	1386-127-003
67	1	RETAINER PIN	1386-183-003
69	1	O-RING	30-463-10
70	1	SPEEDOMETER PLUG	30-39-1
71	1	RETAINER	30-360-1
72	2	SCREW	30-443-1
73	1	NEUTRAL SWITCH	1300-140-004
74	1	SPEED SENSOR	SEE VARIABLE PARTS
75	1	INTERLOCK PIN	TUTN11627
76	1	PLUNGER	TCPE17594
83	1	PLUG REAR EXTENSION	12F000015
84	11	BOLT HEX. FLANGE HEAD	TCTN17406
129	1	OIL SEAL	TCSJ1277

## Section 14: Selector Rail Assembly

### Selector Rail Assembly View





## Section 14: Selector Rail Assembly

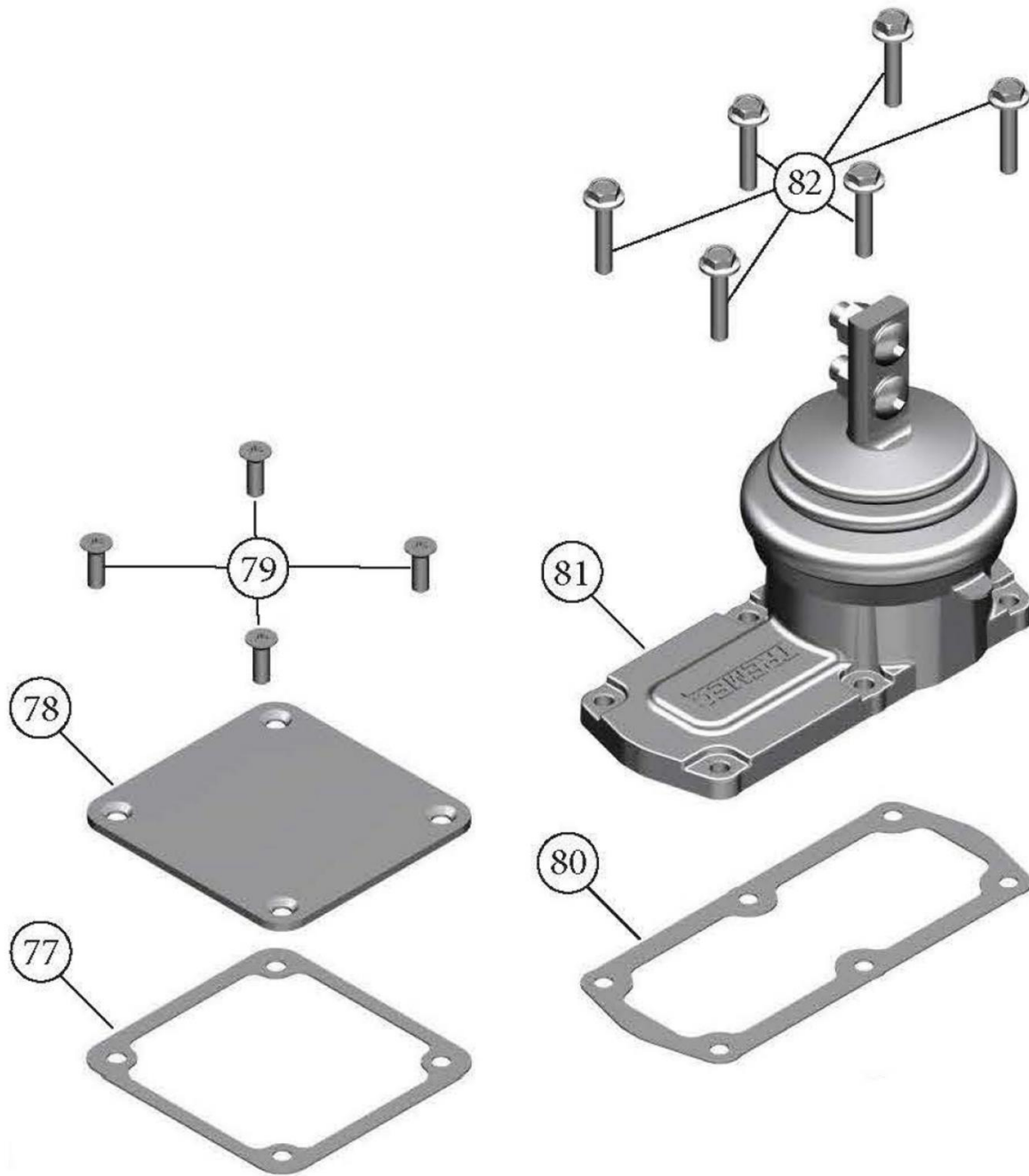
---

### Selector Rail Assembly Legend

ITEM	QTY	PART NAME	PART NUMBER
4	9	PIN SLOTTED SPRING	1000-043-016
15	1	SELECTOR ARM	TCTP17246
16	2	LINEAR BEARING	TUBA7952
17	1	SELECTOR RAIL	TCBR17579
18	1	SELECTOR SEAT	TCTP4257
19	2	BUSHING, SHIFT LEVER SOCKET	2606246
20	1	INHIBITOR ASSY	TCEC17259
21	1	E-CLIP	7238695
22	1	REVERSE INHIBITOR	7238515
23	1	INHIBITOR RAIL	TCBR17260
24	1	INHIBITOR PLATE	TCPT17261
25	1	REVERSE INHIBITOR SPRING	7238635
26	1	SET SCREW-INTERNAL HEX W/DOG PT	6501092

## Section 15: Shifter Assembly

### Shifter Assembly View



## Section 15: Shifter Assembly

---

### Shifter Assembly Legend

ITEM	QTY	PART NAME	PART NUMBER
77	1	GASKET - SELECTOR COVER	TCSJ17417
78	1	COVER PLATE	TCPT17564
79	4	SOCKET CSK SCREW	BOL0944F
80	1	GASKET – SHIFTER	TCSJ17418
81	1	SHIFTER TURRET ASSY	TCEC17468
82	6	CONTROL TOWER BOLT	TCTN0620

**TREMEC**<sup>®</sup>

Torque Transfer Solutions<sup>®</sup>

46643 Ryan Court

Novi, Michigan 48337 U.S.A.

Tel: +1 (248) 859-6500 | Fax: +1 (248) 859-6400

Customer Service: (800) 401-9866 | [customer.service@tremec.com](mailto:customer.service@tremec.com)

[www.tremec.com](http://www.tremec.com)

---