

CHART OF MATCHING COMPONENTS

	Ca			Cb		
	Ta	Tb	Tc	Ta	Tb	Tc
Ma	OK	OK	OK	NO	OK	OK
Mb	OK	OK	OK	NO	OK	OK
Mc	NO	NO	OK	NO	NO	OK

MOTOR TYPE

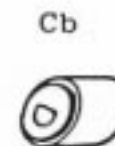
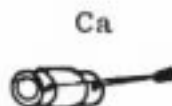
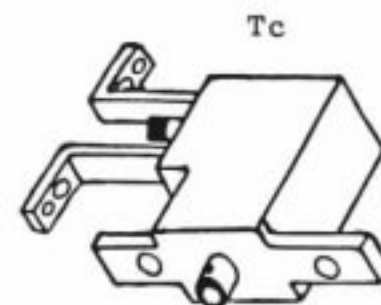
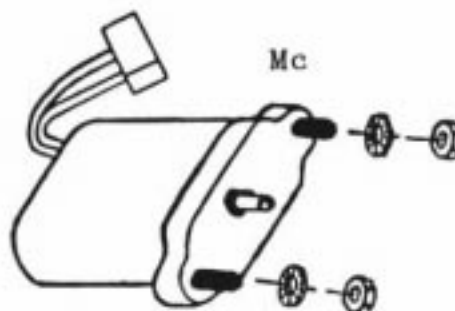
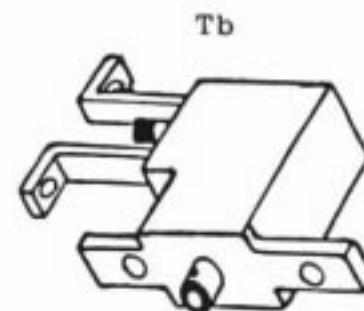
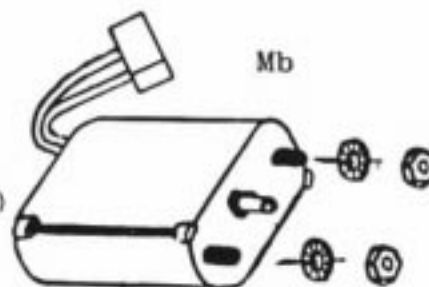
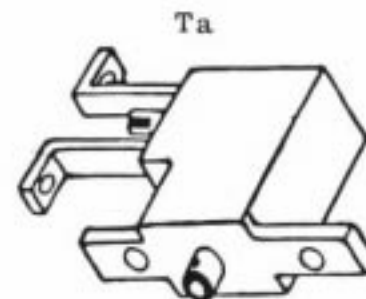
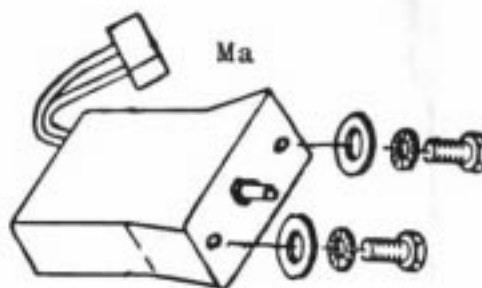
Ma = Robt. Bosch; Plastic Case
 Mb = American Bosch (United Technologies)
 Mc = Robt. Bosch; Metal Case

TRANSMISSION TYPE

Ta = 2 Mounting Holes;
 Small Flat on Input Shaft
 Tb = 2 Mounting Holes;
 Large Flat on Input Shaft
 Tc = 4 Mounting Holes;
 Large Flat on Input Shaft

COUPLING TYPE

Ca = Metal Ends with Set Screws
 Cb = Molded Plastic Ends



GLASS SKY-TOP®	
POZ-E-POWER®	
DRIVE CONFIGURATIONS	
ILLUSTRATOR M HANLEY	Drawing No. 830502

