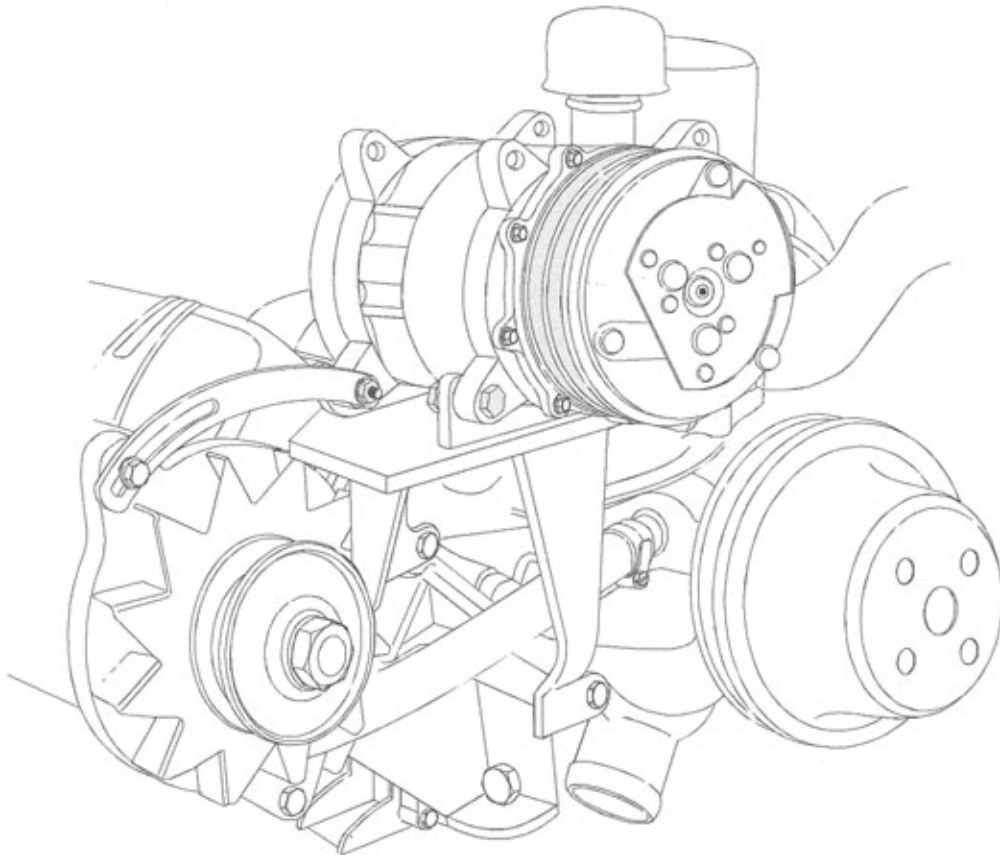


# VANTAGE AIR

18865 GOLL ST. - SAN ANTONIO, TX - 78266 - ph.210-654-7171 - fax 210-654-3113

**INSTALLATION INSTRUCTIONS  
STUDEBAKER 259-289 V8  
wo/POWER STEERING  
COMPRESSOR BRACKET  
(151590-SSA)**



## ***Table of Contents***

PAGES

1. COVER
2. TABLE OF CONTENTS
3. PACKING LIST
4. COMPRESSOR MOUNTING BRACKET INSTALLATION
5. COMPRESSOR INSTALLATION
6. IDLER PULLEY BRACKET INSTALATION
7. PACKING LIST

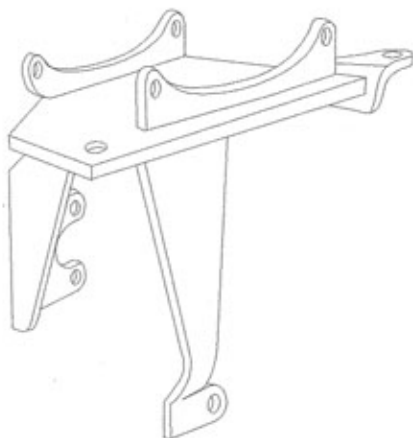
**STUDEBAKER 259-289 V8 wo/POWER STEERING  
COMPRESSOR BRACKET (PASSENGER SIDE)**

**(151590-SSA) PACKING LIST**

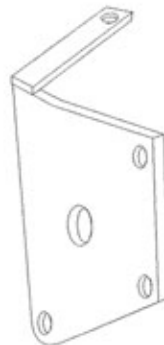
No.	QTY.	PART No.	DESCRIPTION
1.	1	151000-SSR	COMPRESSOR MOUNTING BRKT
2.	1	156000-SSR	IDLER PULLEY MOUNTING BRKT
3.	1	191000-HSA	HARDWARE KIT

**\*\* BEFORE BEGINNING INSTALLATION OPEN ALL PACKAGES AND CHECK CONTENTS OF SHIPMENT. PLEASE REPORT ANY SHORTAGES DIRECTLY TO VINTAGE AIR WITHIN 15 DAYS. AFTER 15 DAYS, VINTAGE AIR WILL NOT BE RESPONSIBLE FOR MISSING OR DAMAGED ITEMS.**

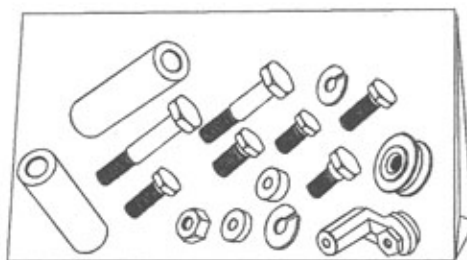
①



②



③

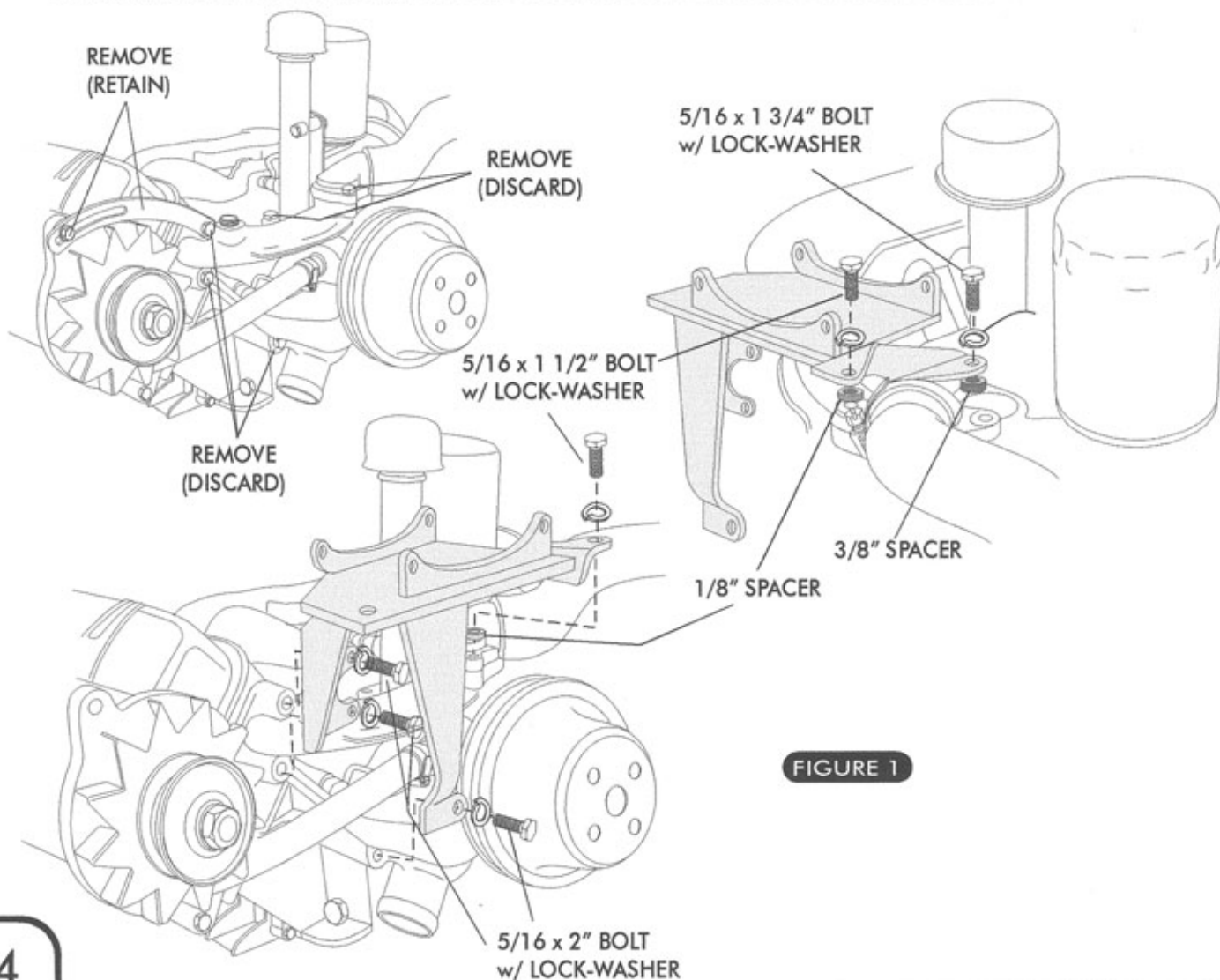


## INSTALLATION INSTRUCTIONS

### COMPRESSOR MOUNTING BRACKET INSTALLATION

**NOTE: ASSEMBLE ALL BRACKETS LOOSELY TO ENGINE, BEFORE TIGHTENING BOLTS, THIS WILL INSURE PROPER ALIGNMENT OF ALL BRACKETS.**

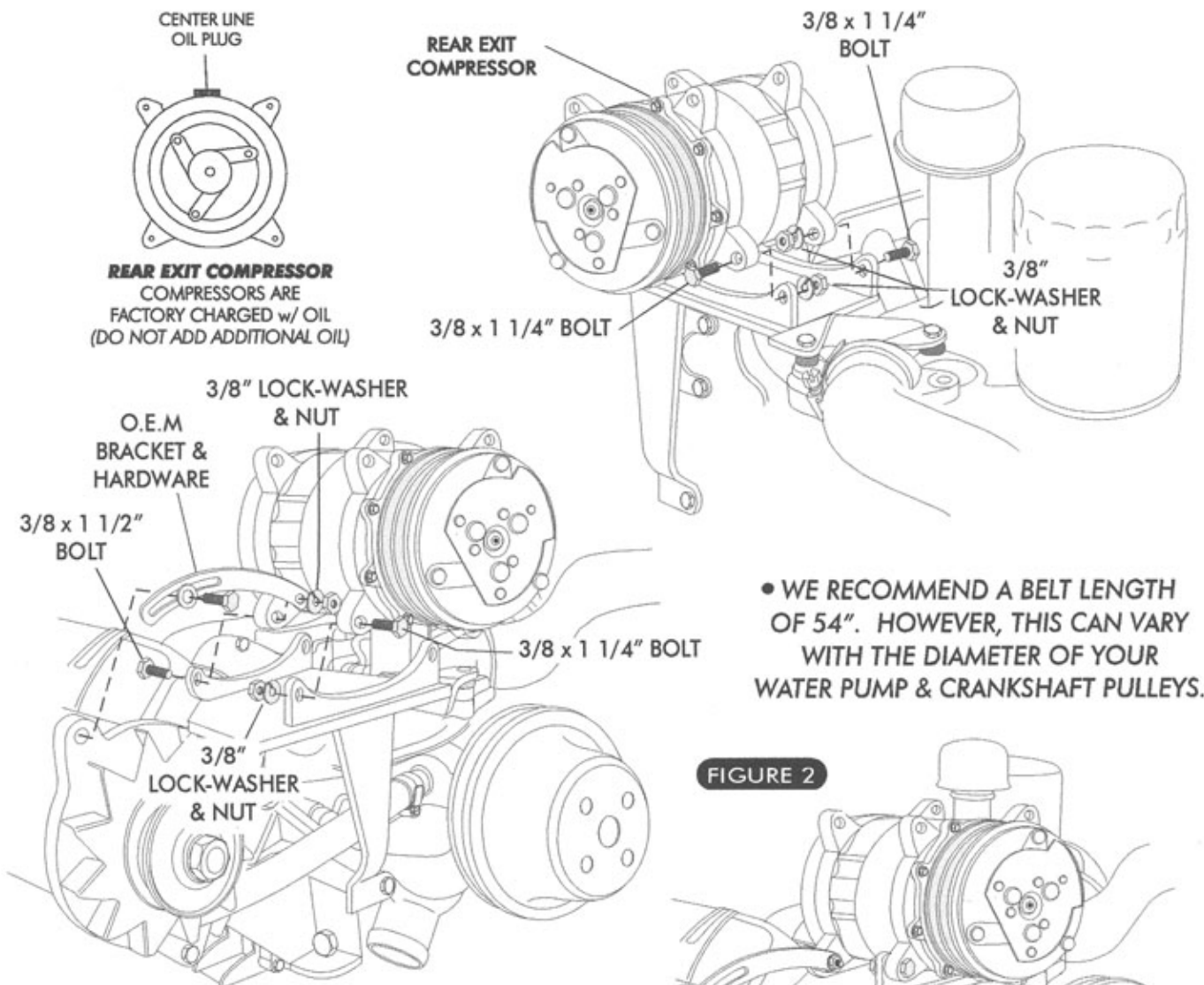
- REMOVE THE (3) PASSENGER SIDE WATER PUMP MOUNTING BOLTS, TWO UPPER AND ONE LOWER (DISCARD). REMOVE GENERATOR ADJUSTMENT BRACKET (RETAIN BRACKET AND HARDWARE). SEE FIGURE 1 BELOW.
- REMOVE THE (FRONT) THERMOSTAT HOUSING BOLT AND THE INTAKE BOLT (DISCARD). SEE FIGURE 1 BELOW.
- INSTALL COMPRESSOR MOUNTING BRACKET TO THE PASSENGER SIDE OF WATER PUMP USING (3) 5/16 x 2" BOLTS WITH LOCK-WASHERS. SEE FIGURE 1 BELOW.
- SECURE DRIVER SIDE OF BRACKET USING A 1/8" SPACER BETWEEN THE THERMOSTAT HOUSING AND THE UPPER MOUNTING TAB OF COMPRESSOR BRACKET WITH A 5/16 x 1 1/2" BOLT AND LOCK-WASHER. SEE FIGURE 1 BELOW.
- PLACE A 3/8" SPACER BETWEEN THE INTAKE AND THE LOWER MOUNTING TAB OF COMPRESSOR MOUNTING BRACKET, AND SECURE WITH A 5/16 x 1 3/4" BOLT AND LOCK-WASHER. SEE FIGURE 1 BELOW.



**FIGURE 1**

**COMPRESSOR INSTALLATION**
**NOTE: MUST USE REAR EXIT COMPRESSOR**

- USE (3) 3/8" x 1 1/4" BOLT, LOCK-WASHER AND NUT TO ATTACH COMPRESSOR TO MOUNTING BRACKET. (NOTE: COMPRESSOR MOUNTING TABS WILL MOUNT ON FRONT SIDE OF MOUNTING BRACKET.) SEE FIGURE 2 BELOW.
- USE (1) 3/8" x 1 1/2" BOLT, LOCK-WASHER AND NUT TO ATTACH THE O.E.M GENERATOR ADJUSTMENT BRACKET TO THE COMPRESSOR BRACKET. FIGURE 2 BELOW.



• WE RECOMMEND A BELT LENGTH OF 54". HOWEVER, THIS CAN VARY WITH THE DIAMETER OF YOUR WATER PUMP & CRANKSHAFT PULLEYS.

**FIGURE 2**

1. DO NOT CONNECT COMPRESSOR CLUTCH WIRE UNTIL SYSTEM IS BEING CHARGED WITH REFRIGERANT. RUNNING COMPRESSOR WITHOUT REFRIGERANT CHARGE WILL RESULT IN COMPRESSOR FAILURE.
2. VINTAGE AIR RECOMMENDS ONLY DAYCO, GATES, OR GOODYEAR BRAND REINFORCED SERIES 17 V BELT BE USED WITH THIS COMPRESSOR. ANY USE OF LESSER QUALITY BELTS MAY CAUSE COMPRESSOR TO PERFORM IMPROPERLY.

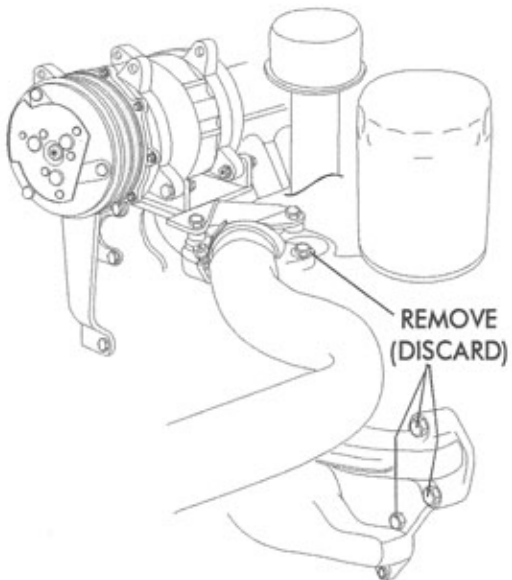
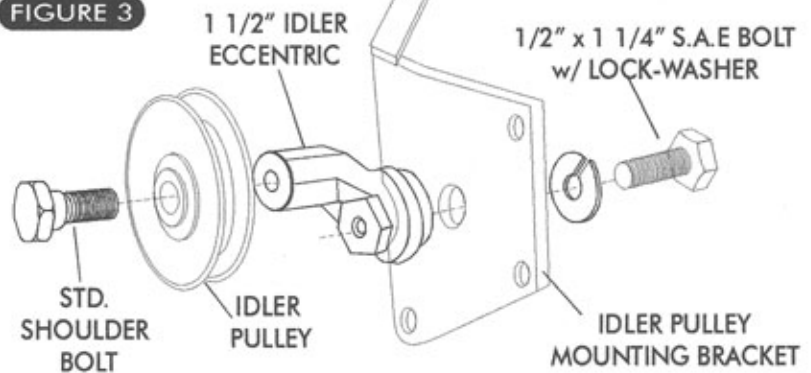
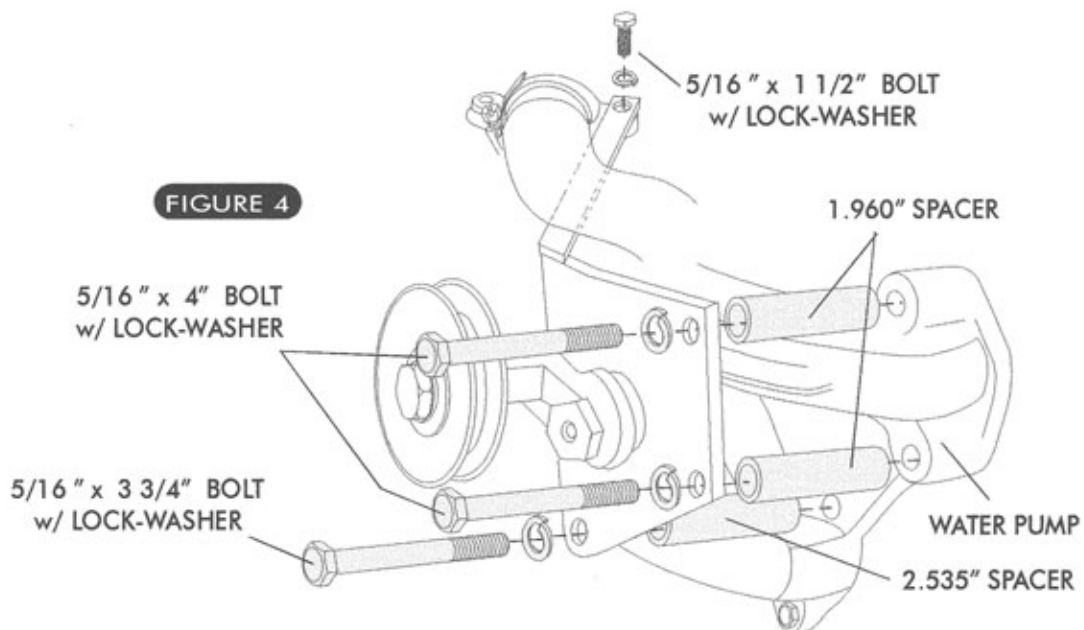
NOTE: FAILURE TO FOLLOW THESE PROCEDURES VOIDS ALL WARRANTIES.

**IMPORTANT NOTICE**

**DO NOT CONNECT COMPRESSOR CLUTCH WIRE UNTIL SYSTEM IS BEING CHARGED w/ REFRIGERANT. RUNNING COMPRESSOR WITHOUT REFRIGERANT WILL VOID WARRANTY!**

**IDLER PULLEY & BRACKET INSTALLATION**

- INSTALL THE 1 1/2" IDLER ECCENTRIC TO THE IDLER PULLEY BRACKET USING THE 1/2" x 1 1/4" S.A.E BOLT AND LOCK-WASHER. SEE FIGURE 3 BELOW
- INSTALL 3 5/8" IDLER PULLEY USING THE STANDARD SHOULDER BOLT. SEE FIGURE 3 BELOW
- REMOVE THE (3) DRIVER SIDE WATER PUMP MOUNTING BOLTS, AND THE THERMOSTAT HOUSING BOLT. SEE FIGURE 3, BELOW
- INSTALL THE IDLER PULLEY MOUNTING BRACKET USING (2) 5/16 x 4" BOLTS AND LOCK-WASHER, PLACE THE 1.960" SPACERS BETWEEN THE BRACKET AND WATER PUMP. USE THE 5/16 x 3 3/4" BOLT AND LOCK-WASHER, PLACE THE 2.535" SPACER BETWEEN THE WATER PUMP AND MOUNTING BRACKET. SEE FIGURE 4 BELOW.


**FIGURE 3**

**FIGURE 4**


**STUDEBAKER 259-289 V8 wo/POWER STEERING  
COMPRESSOR BRACKET (PASSENGER SIDE)**

**(151590-SSA) PACKING LIST**

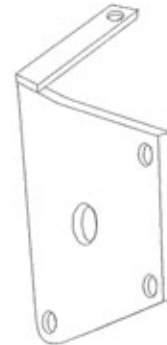
No.	QTY.	PART No.	DESCRIPTION	CHECK LIST
1.	1	151000-SSR	COMPRESSOR MOUNTING BRKT	_____
2.	1	156000-SSR	IDLER PULLEY MOUNTING BRKT	_____
3.	1	191000-HSA	HARDWARE KIT	_____

CHECKED BY: \_\_\_\_\_  
 PACKED BY: \_\_\_\_\_  
 DATE: \_\_\_\_\_

①



②



③

